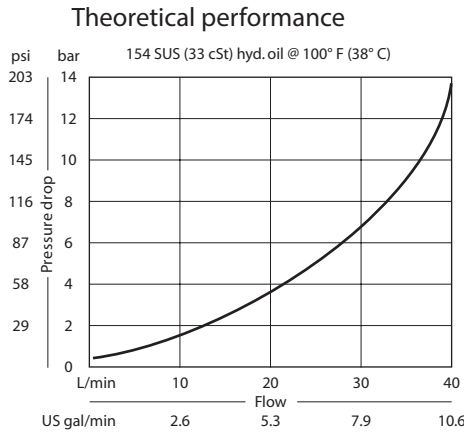


OPERATION

This valve allows free flow from 1 to 2 and blocks flow from 2 to 1.

SPECIFICATIONS



Schematic



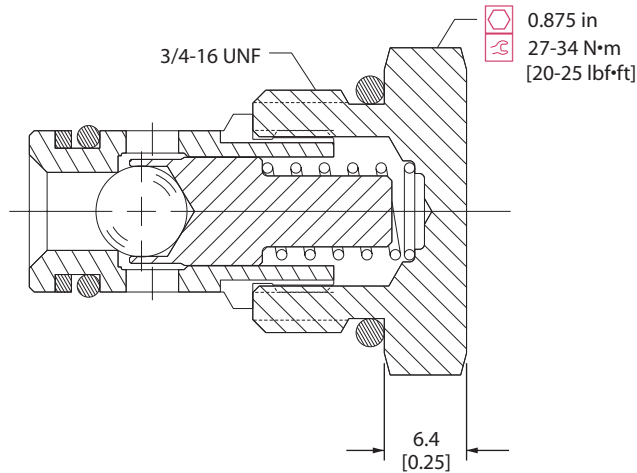
Specifications

Rated pressure	310 bar 4500 psi
Rated flow at 7 bar 100 psi	30 l/min 8 US gal/min
Leakage	6 drops/min @ Rated pressure
Weight	0.05 kg 0.11 lb
Cavity	SDC08-2

DIMENSIONS

mm in

Cross-sectional view



ORDERING INFORMATION

CV08-NB-0.3-B-00

Crack Pressure
 0.3 = 0.3 bar [5 psi]
 0.7 = 0.7 bar [10 psi]
 1 = 1.0 bar [15 psi]
 2 = 2.0 bar [30 psi]
 5 = 5.0 bar [65 psi]
 7 = 7.0 bar [100 psi]

Housing and ports
 00 = No Housing
 DG-2B = Al, 1/4 BSP
 DG-3B = Al, 3/8 BSP
 4S = Al, #4 SAE
 6S = Al, #6 SAE

Housing Part #
 No Housing
 SDC08-2-DG-2B
 SDC08-2-DG-3B
 CP08-2-4S
 CP08-2-6S

Seals
 B = Buna-N
 V = Viton

Seal Kit
 120221
 120222