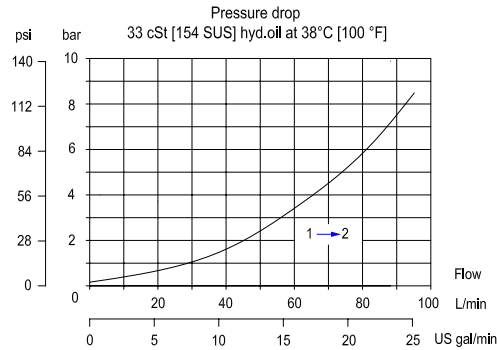


OPERATION

This valve allows free flow from 1 to 2 and blocks flow from 2 to 1.

SPECIFICATIONS

Theoretical performance



Schematic



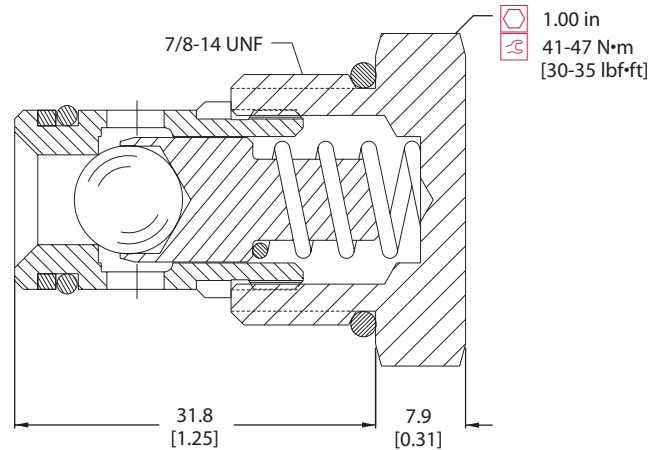
Specifications

Rated pressure	207 bar 3000 psi
Rated flow at 7 bar	83 l/min
100 psi	22 US gal/min
Leakage	6 drops/min @ Rated pressure
Weight	0.08 kg 0.17 lb
Cavity	SDC10-2

DIMENSIONS

mm in

Cross-sectional view



ORDERING INFORMATION

CV10-NB-0.3-B-00

Crack Pressure
 0.3 = 0.3 bar [5 psi]
 1 = 1.0 bar [15 psi]
 2 = 2.0 bar [30 psi]
 5 = 5.0 bar [65 psi]
 7 = 7.0 bar [100 psi]
 10 = 10.3 bar [150 psi]

Housing and ports
 00 = No Housing
 DG-3B = Al, 3/8 BSP
 DG-4B = Al, 1/2 BSP
 6S = Al, #6 SAE
 8S = Al, #8 SAE

Housing Part #
 No Housing
 SDC10-2-DG-3B
 SDC10-2-DG-4B
 CP10-2-6S
 CP10-2-8S

Seals
 B = Buna-N
 V = Viton

Seal Kit
 120015
 120016