

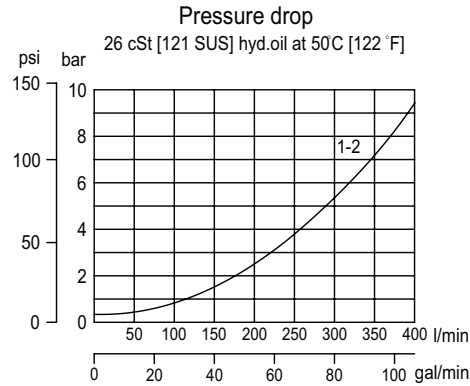
OPERATION

This valve allows free flow from 1 to 2 and blocks flow from 2 to 1.

SPECIFICATIONS

Theoretical performance

Schematic



Specifications

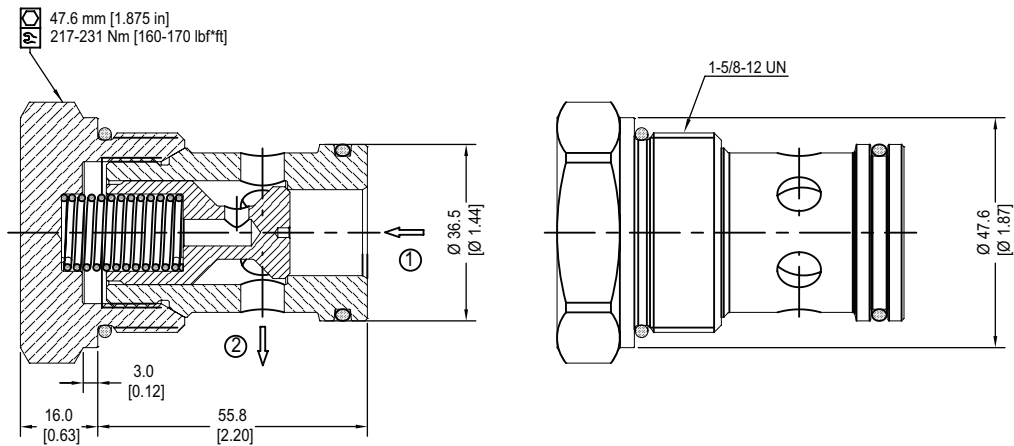
Rated pressure*	215 bar [3120 psi]
Rated flow at 7 bar [100 psi]	330 l/min [87.2 US gal/min]
Leakage	6 drops/min @ Rated pressure
Weight	0.54 kg [1.20 lb]
Cavity	SDC20-2

*Rated pressure based on NFPA fatigue test standard (at 1 million cycles)

DIMENSIONS

mm in

Cross-sectional view



ORDERING INFORMATION

CP103-1-B-0-005

Check Valve
 Poppet Type, Normal Direction

Seal Kit	Seal Option
120011	B = Buna-N
120012	V = Viton

Crack Pressure	
005	0.34 bar [5 psi]
015	1.0 bar [15 psi]
030	2.1 bar [30 psi]
065	4.5 bar [65 psi]
100	7 bar [100 psi]

Code	Ports & Material	Body Nomenclature
0	0 = Cartridge only	No Body
8B	Al, 1 BSP	CP20-2-8B
10B	Al, 1-1/4 BSP	CP20-2-10B
16S	Al, #16 SAE	CP20-2-16S
20S	Al, #20 SAE	CP20-2-20S

**Other housings available