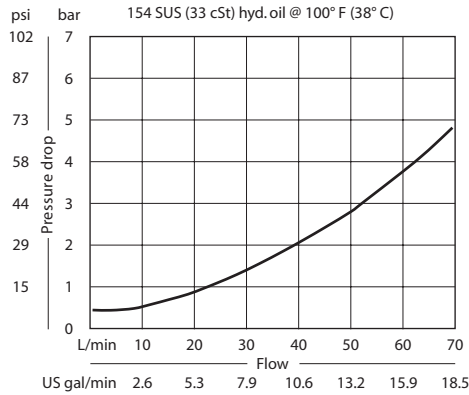


OPERATION

This valve allows free flow from 1 to 2 and blocks flow from 2 to 1.

SPECIFICATIONS

Theoretical performance



Schematic



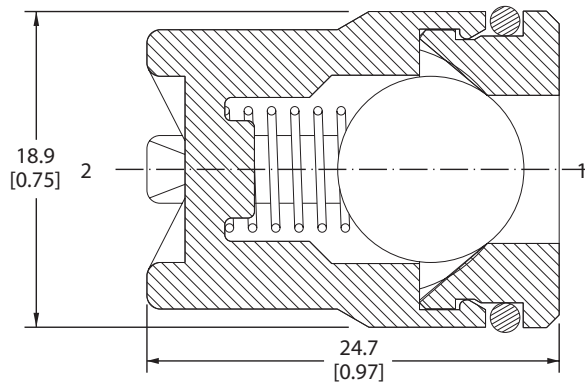
Specifications

Rated pressure	210 bar 3045 psi
Rated flow at 7 bar	70 l/min
100 psi	19 US gal/min
Leakage	15 drops/min @ rated pressure
Weight	0.03 kg 0.07 lb
Cavity	FC-144

DIMENSIONS

mm in

Cross-sectional view



ORDERING INFORMATION

3C50-01-B-0-005

Crack pressure
 005 = 0.34 bar [5 psi]

Housing and ports
 0 = No Housing

Seals
 B = Buna-N
 V = Viton

Seal kit
 720399
 720420