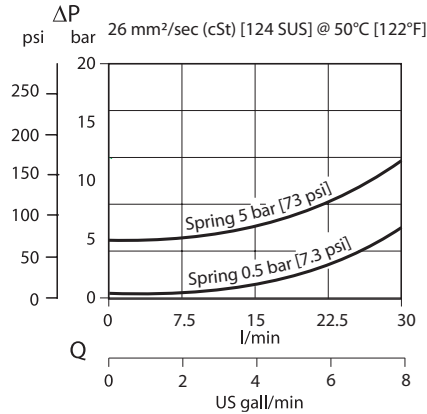


OPERATION

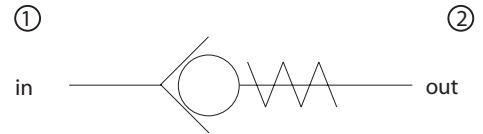
This valve allows free flow from 1 to 2 and blocks flow from 2 to 1.

SPECIFICATIONS

Theoretical performance



Schematic



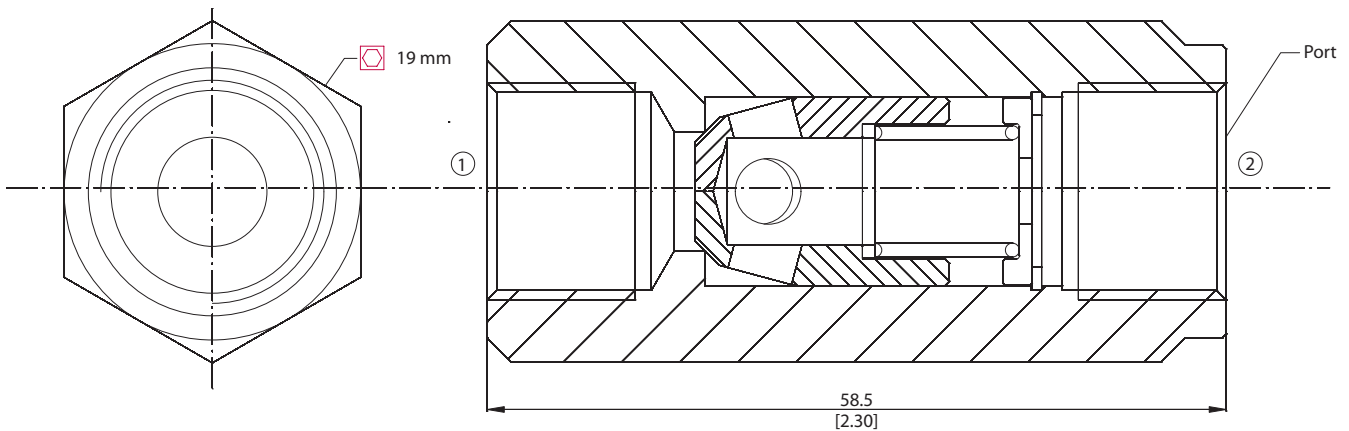
Specifications

Rated pressure	350 bar 5075 psi
Rated flow at 7 bar	30 l/min
100 psi	8 US gal/min
Weight	0.08 kg 0.18 lb
Cavity	none

DIMENSIONS

mm in

Cross-sectional view



ORDERING INFORMATION

RS 06 / 0.5 G

Port

A = SAE #6
 G = 1/4 BSP

Crack pressure

0.5 = 0.5 bar [7.25 psi]
 5 = 5 bar [72.5 psi]