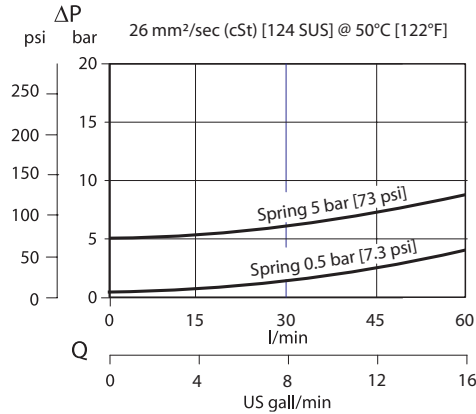


**OPERATION**

This valve allows free flow from 1 to 2 and blocks flow from 2 to 1.

**SPECIFICATIONS**

Theoretical performance



Schematic



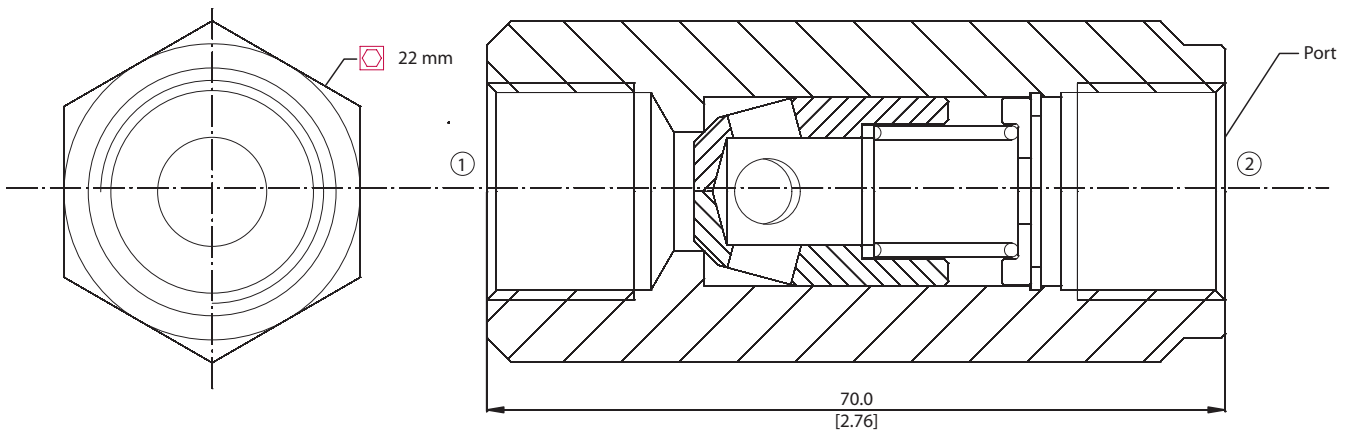
Specifications

Rated pressure	350 bar 5075 psi
Rated flow at 7 bar 100 psi	60 l/min 16 US gal/min
Weight	0.13 kg 0.29 lb
Cavity	none

**DIMENSIONS**

mm in

Cross-sectional view



**ORDERING INFORMATION**

**RS 10 / 5 - G**



**Crack Pressure**  
 0.5 = 0.5 bar [7 psi]  
 5 = 5 bar [73 psi]

CV - Check Valves Catalog  
 RS 10