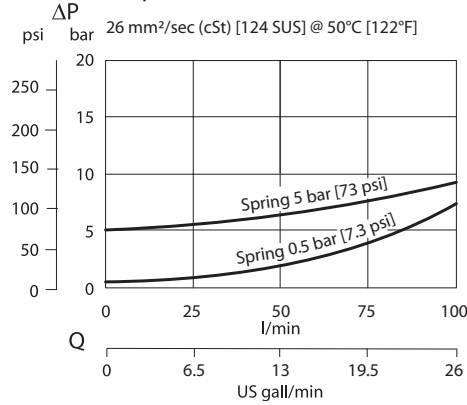


OPERATION

This valve allows free flow from 1 to 2 and blocks flow from 2 to 1.

SPECIFICATIONS

Theoretical performance



Schematic



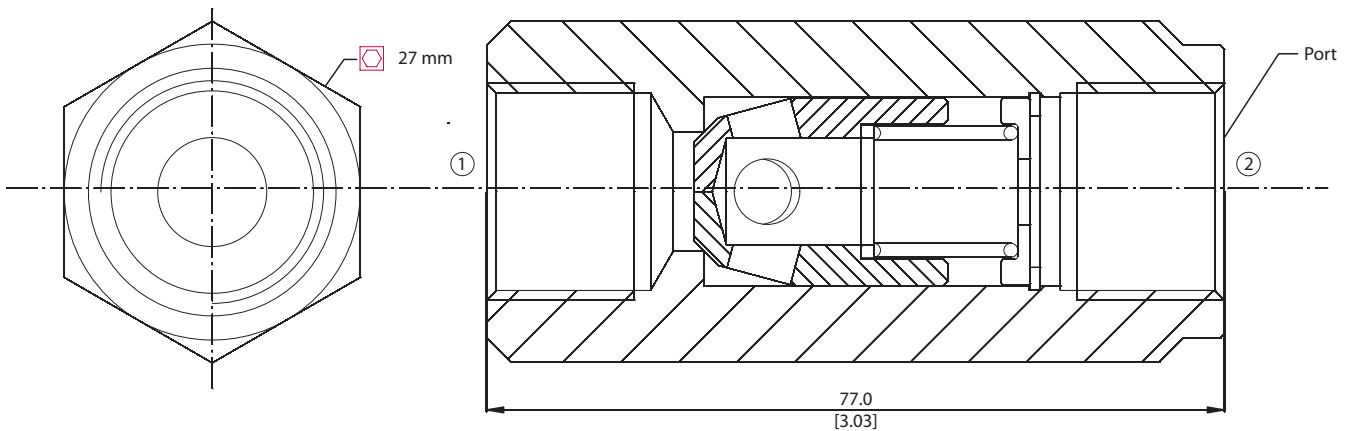
Specifications

Rated pressure	315 bar 4500 psi
Rated flow at 7 bar	100 l/min
100 psi	26 US gal/min
Weight	0.21 kg 0.46 lb
Cavity	none

DIMENSIONS

mm in

Cross-sectional view



ORDERING INFORMATION

RS 13 / 0.5 - G

Ports
 G = ½ BSP

Crack Pressure
 0.5 = 0.5 bar [7 psi]
 5 = 5 bar [73 psi]