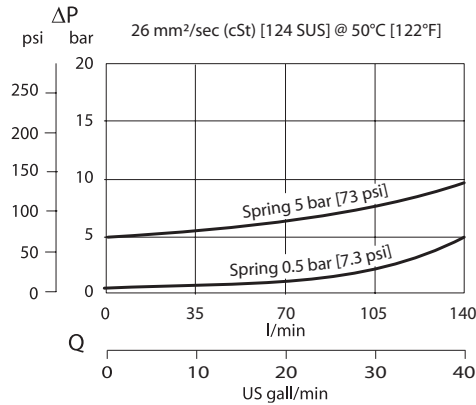


OPERATION

This valve allows free flow from 1 to 2 and blocks flow from 2 to 1.

SPECIFICATIONS

Theoretical performance



Schematic



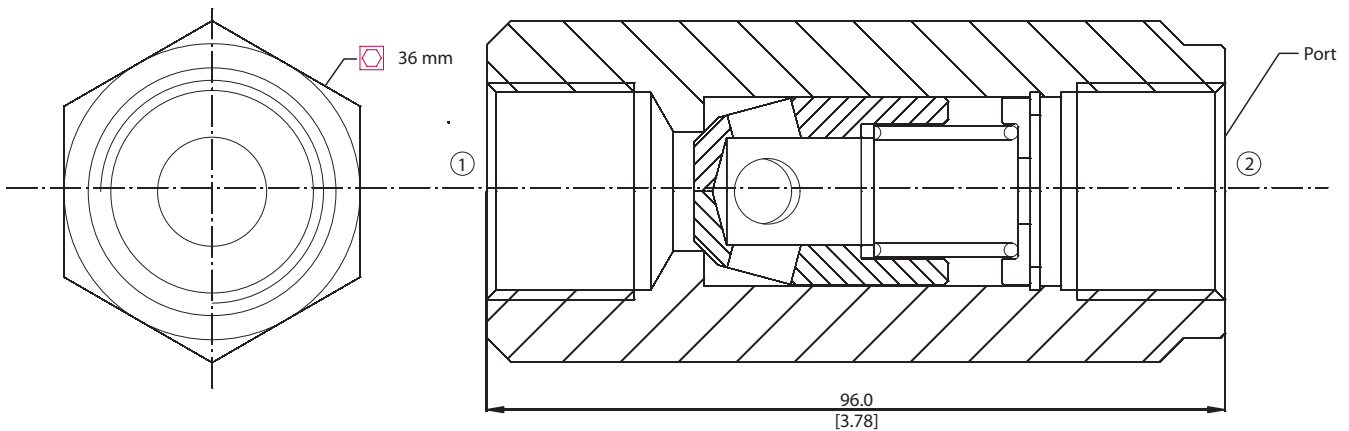
Specifications

Rated pressure	280 bar 4000 psi
Rated flow at 7 bar	140 l/min
100 psi	37 US gal/min
Weight	0.43 kg 0.95 lb
Cavity	none

DIMENSIONS

mm in

Cross-sectional view



ORDERING INFORMATION

RS 19 / 0.5 - G

Ports

A = SAE #12
 G = 3/4 BSP

Crack Pressure

0.5 = 0.5 bar [7 psi]
 5 = 5 bar [73 psi]

CV - Check Valves Catalog
 RS 19