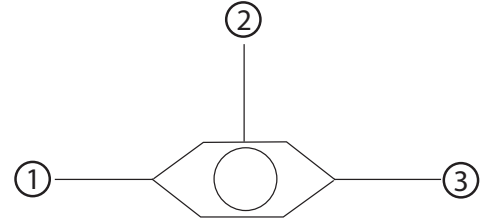


OPERATION

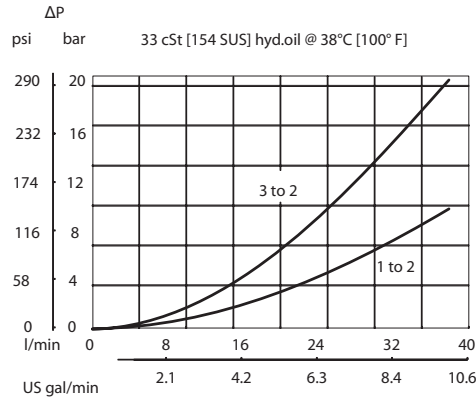
This valve senses the higher of two input pressures at 1 and 3, and routes it to the output 2.

Schematic



SPECIFICATIONS

Theoretical performance



Specifications

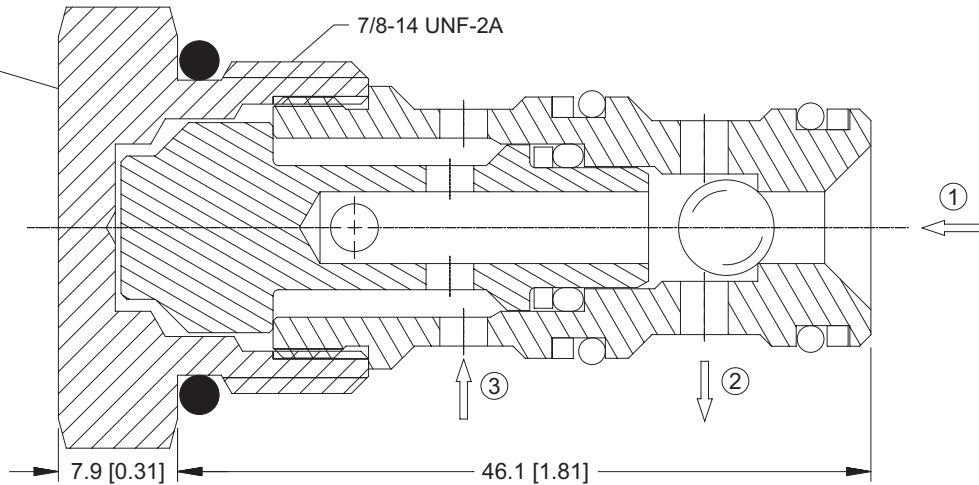
Rated pressure	330 bar [4800 psi]
Rated flow at 7 bar [100 psi]	25 l/min [7 US gal/min]
Leakage	6 drops/min @ Rated pressure
Weight	0.10 kg [0.22 lb]
Cavity	SDC10-3

DIMENSIONS

mm [in]

1.00 in
 66-73 N·m
 [49-54 lbf·ft]

Cross-sectional view



ORDERING INFORMATION

CP120-4-B-8S

Seals	Seal kit	Housing and ports	Housing P/N
B = Buna-N	120027	00 = No Housing	No Housing
V = Viton	120028	SE3B = AL, 3/8 BSP	SDC10-3-SE-3B
		SE4B = AL, 1/2 BSP	SDC10-3-SE-4B
		6S = AL, #6 SAE	CP10-3-6S
		8S = AL, #8 SAE	CP10-3-8S
		Other housings available	