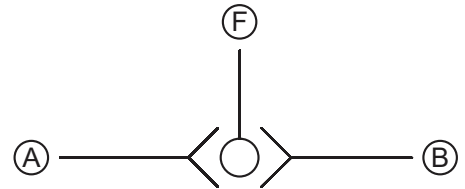


**OPERATION**

This valve senses the higher of two input pressures and routes it to the output port.

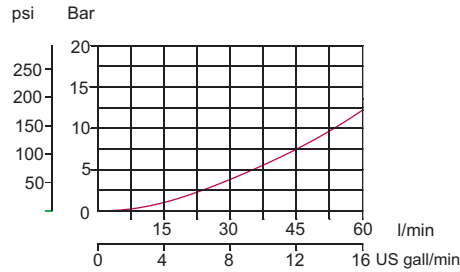
**Schematic**



**SPECIFICATIONS**

**Theoretical performance**

Pressure drop  
 26 cSt [121 SUS] hyd.oil at 50°C [122 °F]  
 Free flow from A⇒F or B⇒F



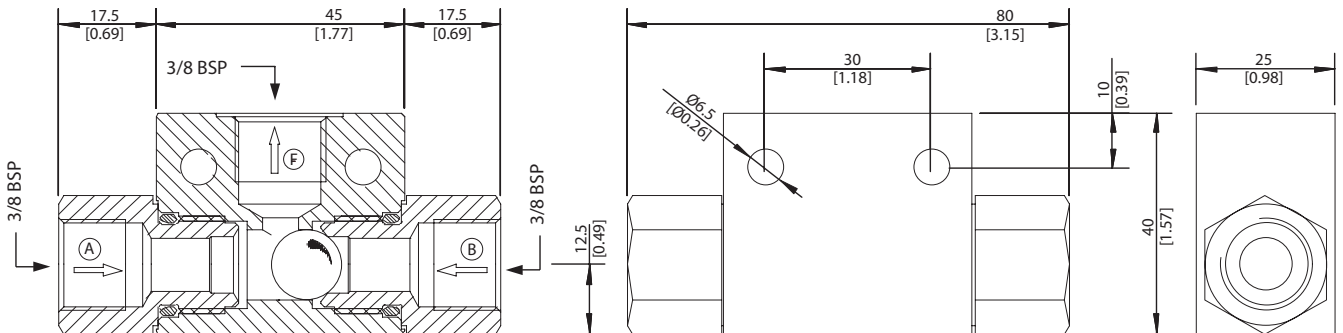
**Specifications**

<b>Rated pressure</b>	350 bar [5075 psi]
<b>Rated flow at 7 bar [100 psi]</b>	45 l/min [12 US gal/min]
<b>Leakage</b>	6 drops/min @ Rated pressure
<b>Weight</b>	0.19 kg [0.42 lb]
<b>Cavity</b>	none

**DIMENSIONS**

mm [in]

**Cross-sectional view**



**ORDERING INFORMATION**

**VS 10-G-V**

SEALS  
 Omit = Buna  
 V = Viton