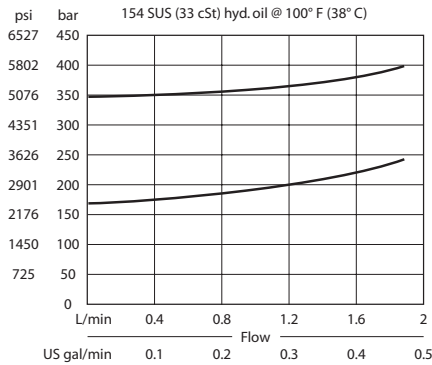


**OPERATION**

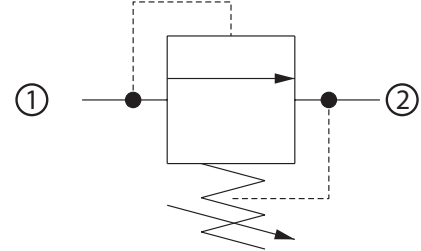
This is a direct-acting poppet type thermal relief valve that relieves from 1 to 2.

**SPECIFICATIONS**

Theoretical performance



Schematic



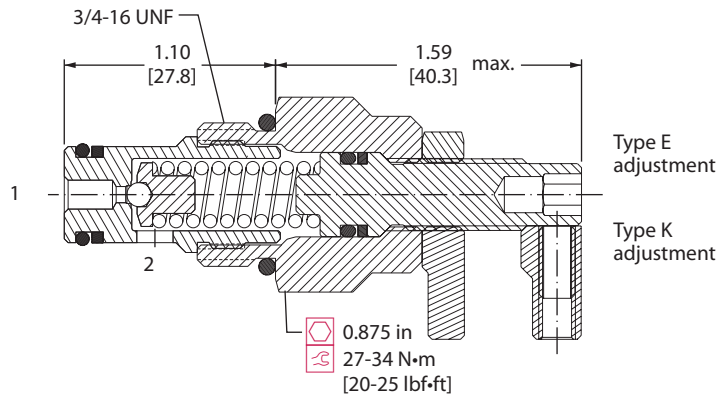
Specifications

<b>Rated pressure</b>	415 bar [6000 psi]
<b>Rated flow</b>	1.1 l/min [0.3 US gal/min]
<b>Leakage</b>	10 drops/min @ 80% of pressure setting
<b>Weight</b>	0.23 kg [0.50 lb]
<b>Cavity</b>	SDC08-2

**DIMENSIONS**

mm [in]

Cross-sectional view



**ORDERING INFORMATION**

**CP208-4-B-4S-E-C-300**

<b>Seals</b> B = Buna-N V = Viton	<b>Seal kits</b> 120221 120222	<b>Crack pressure</b> Code x 10 = psi Example: 300 = 3000 psi																					
<b>Housing and ports</b> 0 = No Housing DG2B = Al, 1/4 BSP DG3B = Al, 3/8 BSP 4S = Al, #4 SAE 6S = Al, #6 SAE Other housings available	<b>Housing P/N</b> No Housing SDC08-2-DG-2B SDC08-2-DG-3B CP08-2-4S CP08-2-6S	<b>Adjustment ranges</b>																					
		<table border="0"> <tr> <td></td> <td>bar</td> <td>psi</td> </tr> <tr> <td>A =</td> <td>2-103</td> <td>[30-1500]</td> </tr> <tr> <td>Standard</td> <td>207</td> <td>[1000]</td> </tr> <tr> <td>B =</td> <td>7-207</td> <td>[100-3000]</td> </tr> <tr> <td>Standard</td> <td>103</td> <td>[1500]</td> </tr> <tr> <td>C =</td> <td>69-414</td> <td>[1000-6000]</td> </tr> <tr> <td>Standard</td> <td>207</td> <td>[3000]</td> </tr> </table>		bar	psi	A =	2-103	[30-1500]	Standard	207	[1000]	B =	7-207	[100-3000]	Standard	103	[1500]	C =	69-414	[1000-6000]	Standard	207	[3000]
	bar	psi																					
A =	2-103	[30-1500]																					
Standard	207	[1000]																					
B =	7-207	[100-3000]																					
Standard	103	[1500]																					
C =	69-414	[1000-6000]																					
Standard	207	[3000]																					
		<b>Adjustment options</b> E = External K = Knob																					