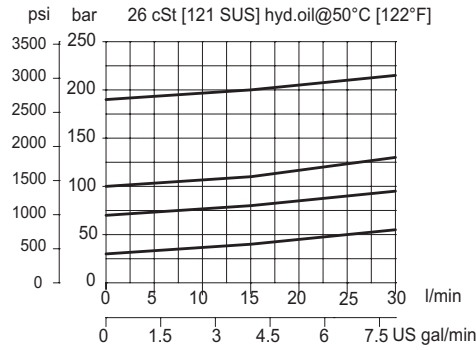


OPERATION

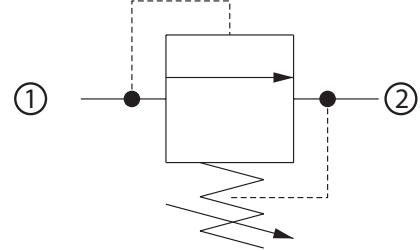
This is a direct-acting, poppet-type relief valve that relieves from 1 to 2. It features a highly damped poppet for smooth and stable response.

SPECIFICATIONS

Theoretical performance



Schematic



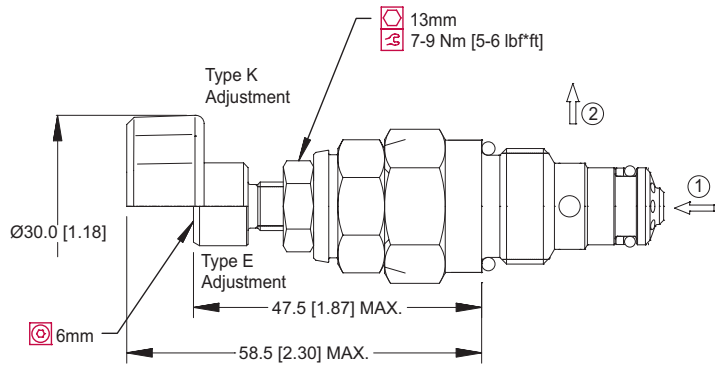
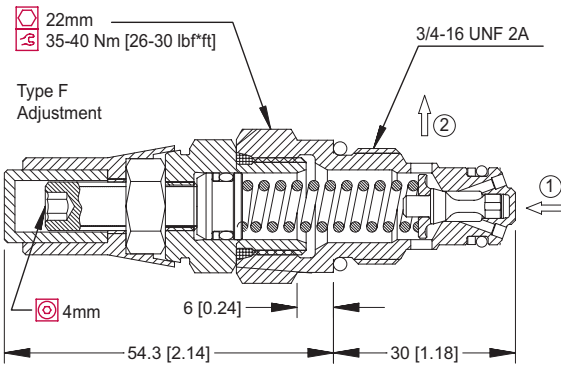
Specifications

Rated pressure	250 bar [3600 psi]
Rated flow	30 l/min [8 US gal/min]
Leakage	10 drops/min @ 80% of pressure setting
Weight	0.10 kg [0.22 lb]
Cavity	SDC08-2

DIMENSIONS

mm [in]

Cross-sectional view



ORDERING INFORMATION

RV08-DR-1-E-XXX-B-4S

Pressure range	Housing and ports	Housing P/N
1 = 20-80 Bar [290-1150 psi]	00 = No Housing	No Housing
2 = 35-160 Bar [500-2300 psi]	DG2B = Al, 1/4 BSP	SDC08-2-DG-2B
3 = 60-250 Bar [870-3600 psi]	DG3B = Al, 3/8 BSP	SDC08-2-DG-3B
	4S = Al, #4 SAE	CP08-2-4S
	6S = Al, #6 SAE	CP08-2-6S
	Other housings available	
Adjustment option	Seals	Seal Kit
E = External	B = Buna-N	354000119
F = Tamper resistant	V = Viton	354000219
K = Knob		
Crack pressure		
Code = Setting in Bar		
XXX = No specific setting		