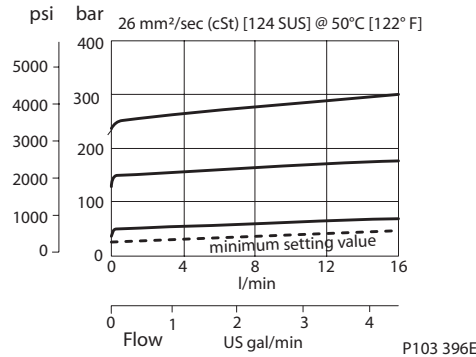


**OPERATION**

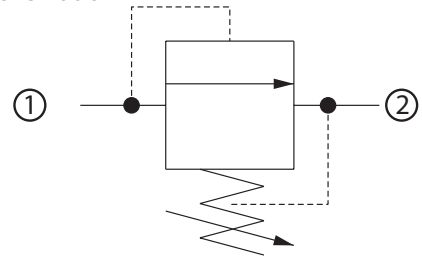
This is a direct-acting, poppet-type relief valve that relieves from 1 to 2. It features a highly damped poppet for smooth and stable response.

**SPECIFICATIONS**

Theoretical performance



Schematic



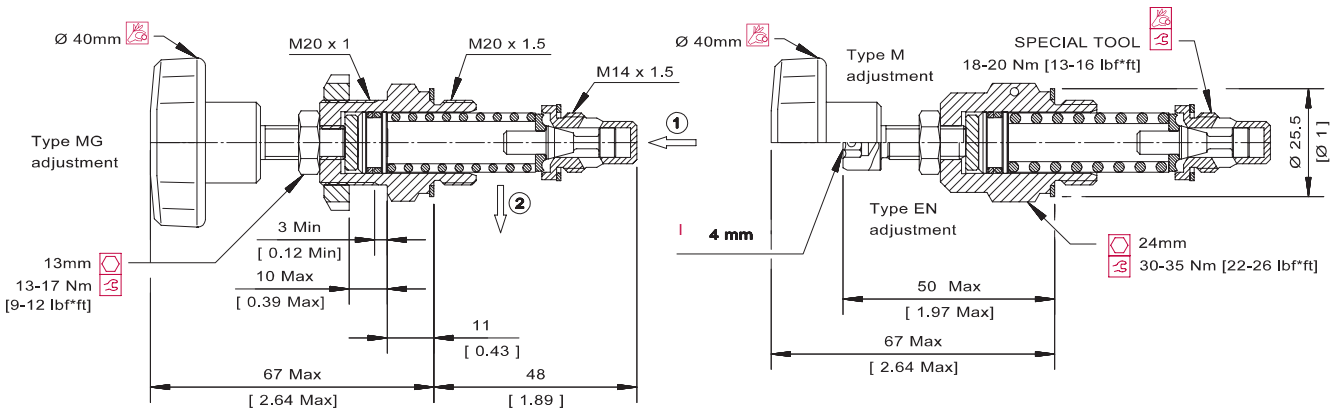
Specifications

<b>Rated pressure</b>	315 bar [4500 psi]
<b>Rated flow</b>	40 l/min [11 US gal/min]
<b>Weight</b>	0.13 kg [0.29 lb]
<b>Cavity</b>	VME06

**DIMENSIONS**

mm [in]

Cross-sectional view



**ORDERING INFORMATION**

VME 06 - EN - 2 - DG3/8 - V - XXX

**Adjustment**

EN = External screw  
 M = Handwheel  
 MG = Handwheel (panel mounted)

**Setting range**

1 = 25 - 70 bar [363-1015 psi]  
 2 = 35 - 170 bar [508-2466 psi]  
 3 = 70 - 315 bar [1015-4569 psi]

**Housing and ports**

00 = No Housing  
 DG3/8 = Al, 3/8 BSP  
 DG6S = Al, #6 SAE  
 Other housings available

**Seals**

V = Viton seals  
 Omit = Buna-N

**Housing P/N**

No Housing  
 VME06-DG-3/8  
 VME06-DG-6S

To order this valve with a specific factory setting, contact your Comatrol representative