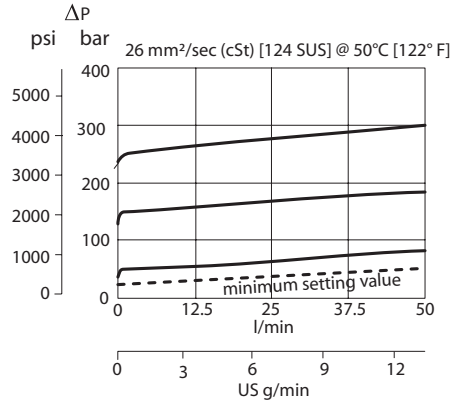


OPERATION

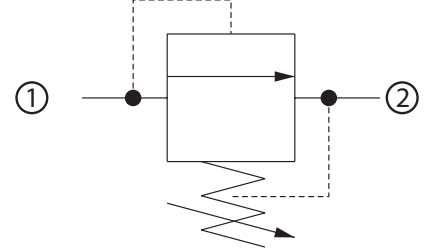
This is a direct-acting, poppet-type relief valve that relieves from 1 to 2. It features a highly damped poppet for smooth and stable response.

SPECIFICATIONS

Theoretical performance



Schematic



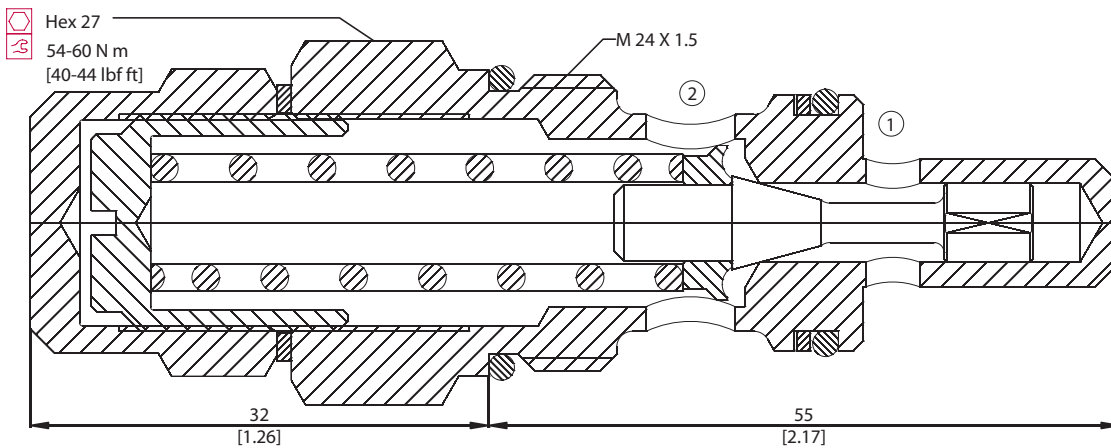
Specifications

Rated pressure	315 bar [4500 psi]
Rated flow	50 l/min [13 US gal/min]
Weight	0.20 kg [0.44 lb]
Cavity	VME07

DIMENSIONS

mm [in]

Cross-sectional view



ORDERING INFORMATION

VME 07 - E - 2 - DG1/2 - V - XXX

Adjustment

E = Internal screw
 M = Handwheel

Setting range

1 = 25 - 80 bar [363-1160 psi]
 2 = 35 - 180 bar [508-2611 psi]
 3 = 70 - 315 bar [1015-4569 psi]

Seals

V = Viton
 Omit = Buna-N

Seal kit
 Consult factory
 Consult factory

Housing and ports

00 = No Housing
 DG1/2 = Al, 1/2 BSP
 DG8S = Al, #8 SAE
 Other housings available

Housing P/N

No Housing
 VME07-DG-1/2
 VME07-DG-8S

To order this valve with a specific factory setting, contact your Comatrol representative.