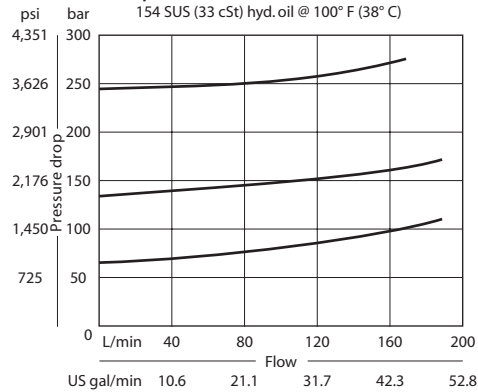


OPERATION

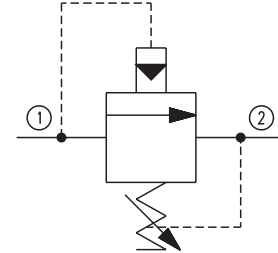
This valve relieves from 1 to 2 and is a pilot operated spool type relief.

SPECIFICATIONS

Theoretical performance



Schematic

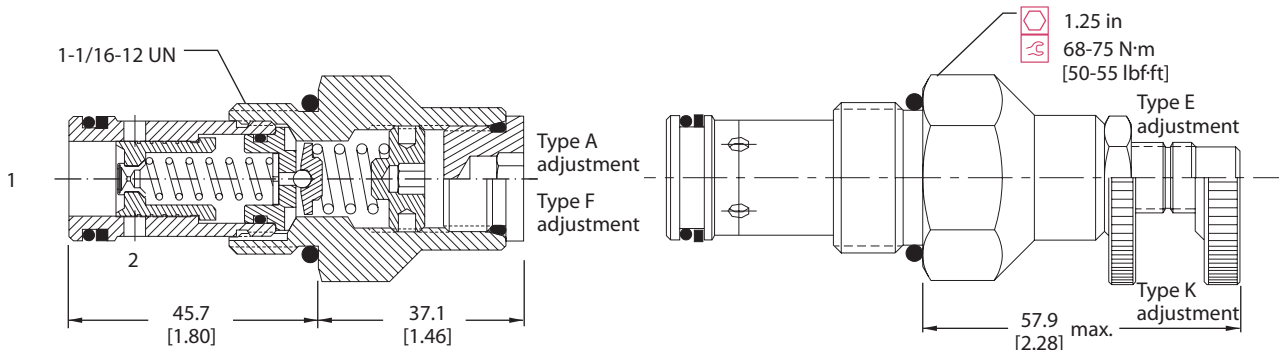


Specifications

Rated pressure	350 bar [5075 psi]
Rated flow	190 l/min [50 US gal/min]
Leakage	82 cm ³ /min [5 in ³ /min] @ 207 bar [3000 psi]
Weight	0.17 kg [0.37 lb]
Cavity	CP12-2

DIMENSIONS

Cross-sectional view



ORDERING INFORMATION

CP211 - 2 - B - 12S - A - C - 150

- Seals**
 - B = Buna-N
 - V = Viton
- Housing and ports**
 - 0 = No Housing
 - 4B = Al, 1/2 BSP
 - 6B = Al, 3/4 BSP
 - 10S = Al, #10 SAE
 - 12S = Al, #12 SAE
- Other housings available**
- Adjustment option**
 - A = Internal
 - E = External
 - F = Tamper resistant
 - K = Knob
- Seal kit**
 - 120017
 - 120018
- Housing P/N**
 - No Housing
 - CP12-2-4B
 - CP12-2-6B
 - CP12-2-10S
 - CP12-2-12S
- Crack pressure**
 - Code x 10 = psi
 - Example: 150 = 1500 psi
- Pressure range**

	bar	[psi]
A =	14-69	[200-800]
Standard	28	[400]
B =	14-103	[300-1500]
Standard	69	[1000]
C =	28-207	[400-3000]
Standard	103	[1500]
D =	28-345	[400-5000]
Standard	103	[1500]