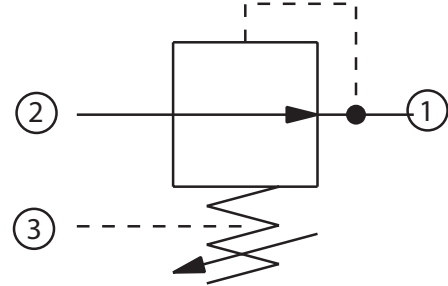


OPERATION

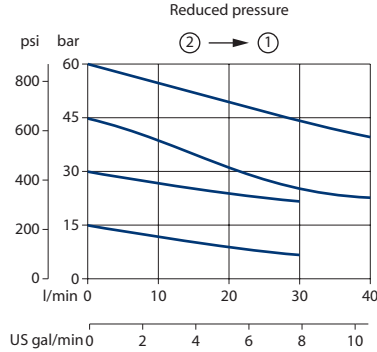
This is a direct-acting pressure reducing (non-relieving) valve.

Schematic



SPECIFICATIONS

Theoretical performance



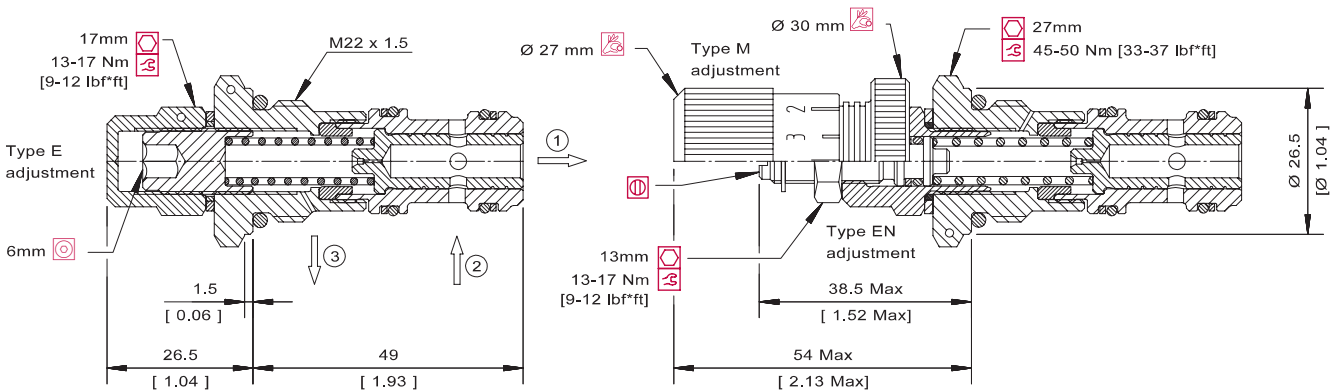
Specifications

Rated pressure	315 bar [4500 psi]
Rated Flow	40 l/min [10 US gal/min]
Weight	0.14 kg [0.31 lb]
Cavity	NCS06/3

DIMENSIONS

mm [in]

Cross-sectional view



ORDERING INFORMATION

PRC 06 - EN - 1 - 00 - V

Type of adjustment

E = Internal screw
 EN = External screw
 M = Handwheel

Setting range

.5 = 1-10 bar [14.5-145 psi]
 1 = 10 - 25 bar [145-363 psi]
 2 = 25-80 bar [363-1160 psi]

Seals

V = Viton
 B = Buna-N

Housing and ports

00 = No Housing
 SE3/8 = AL, 3/8 BSP
 SE1/2 = AL, 1/2 BSP
 SE6S = AL, #6 SAE
 SE8S = AL, #8 SAE
 Other housings available

Seal kit

230000110
 230000070

Housing P/N

No Housing
 NCS06/3-SE-3/8
 NCS06/3-SE-1/2
 NCS06/3-SE-6S
 NCS06/3-SE-8S

To order this valve with a specific factory setting, contact your Sauer-Danfoss representative