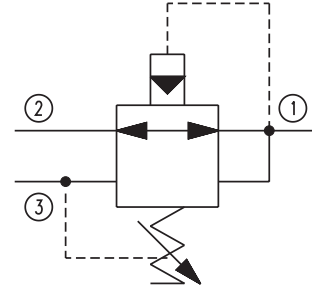


OPERATION

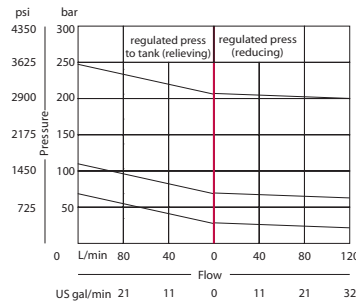
This is a pilot-operated pressure reducing/relieving valve.

Schematic



SPECIFICATIONS

Theoretical performance



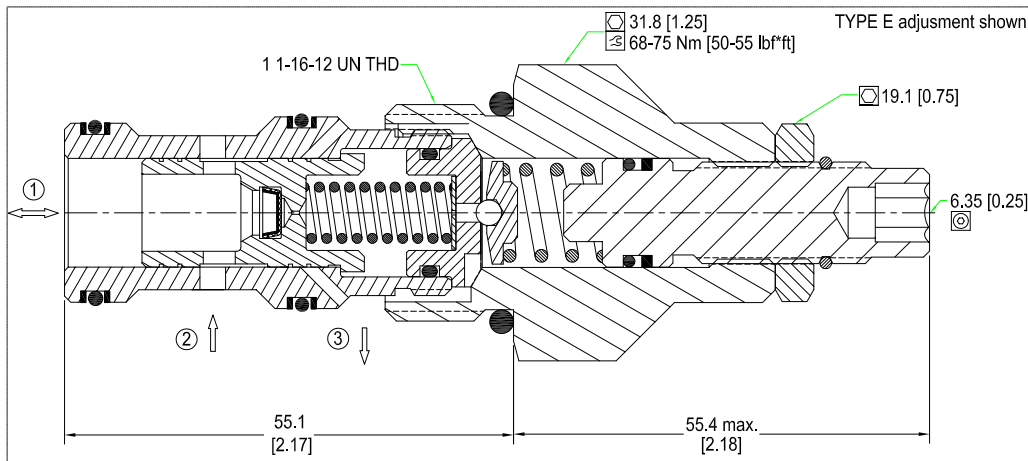
Specifications

Rated pressure	350 bar [5000 psi]
Rated flow at 7 bar [100 psi]	115 l/min [30 US gal/min]
Weight	0.27 kg [0.60 lb]
Cavity	CP12-3S

DIMENSIONS

mm [in]

Cross-sectional view



ORDERING INFORMATION

CP231-3-B-10S-A-A-050

Pressure setting
 Code x 10psi (0.69 bar)
 Example: 050 = 500 psi (34 bar)

Pressure range
 A = 14-55 bar [200-800 psi]
 B = 21-103 bar [300-1500 psi]
 C = 27-207 bar [400-3000 psi]
 D = 27-345 bar [400-5000 psi]

Adjustment options
 A = Internal
 F = Tamper Resistant
 E = External
 K = Knob

Housing and ports
 0 = No Housing
 4B = Al, 1/2 BSP
 6B = Al, 3/4 BSP
 10S = Al, #10 SAE
 12S = Al, #12 SAE
 Other housings available

Housing P/N
 No Housing
 CP12-3S-4B/2B
 CP12-3S-6B/2B
 CP12-3S-10S/4S
 CP12-3S-12S/4S

Seals
 B = Buna-N
 V = Viton

Seal kit
 120335
 120336

PR - Pressure Reducing Valves
 CP231-3