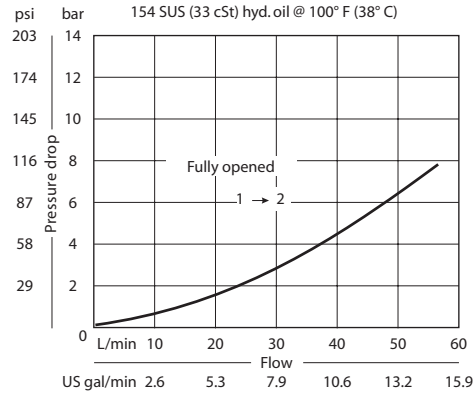


**OPERATION**

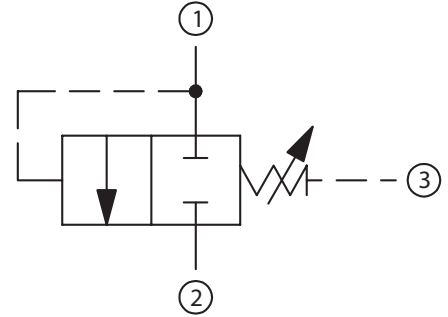
Valve blocks flow from 1 to 2 until sufficient pressure is applied at 1

**SPECIFICATIONS**

**Theoretical performance**



**Schematic**



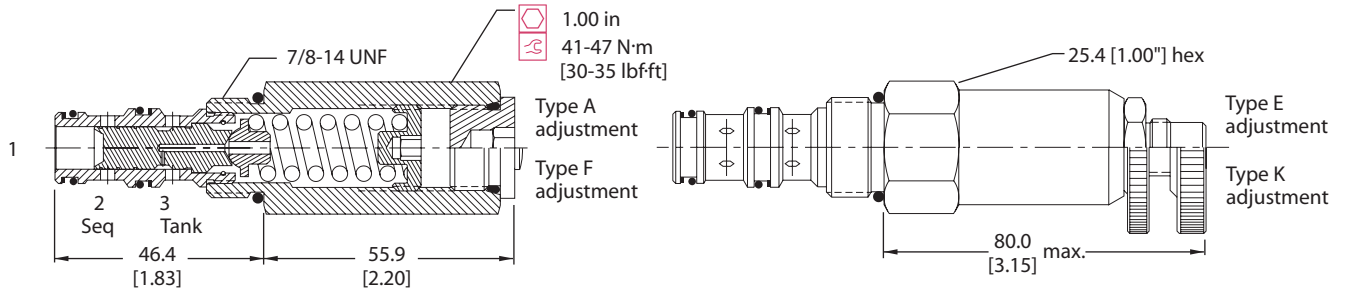
**Specifications**

Rated pressure	210 bar [3000 psi]
Rated flow at 7 bar [100 psi]	55 l/min [14 US gal/min]
Weight	0.26 kg [0.57 lb]
Cavity	SDC10-3

**DIMENSIONS**

mm [in]

Cross-sectional view



**ORDERING INFORMATION**

**CP240 - 8 - B - 6S - A - C-050**

<b>Seals</b> B = Buna-N V = Viton	<b>Seal kit</b> 120027 120028	<b>Crack pressure</b> Code x 10 = psi Example: 100 = 1000 psi
<b>Housing and ports</b> 0 = No Housing SE3B = Al, 3/8 BSP SE4B = Al, 1/2 BSP 6S = Al, #6 SAE 8S = Al, #8 SAE Other housings available	<b>Housing P/N</b> No Housing SDC10-3-SE-3B SDC10-3-SE-4B CP10-3-6S CP10-3-8S	<b>Pressure range</b> A = 4-28 bar [50-400] psi Std. setting 17 [250] B = 5-55 bar [75-800] psi Std. setting 28 [400] C = 7-97 bar [100-1400] psi Std. setting 69 [1000] D = 34-166 bar [500-2400] psi Std. setting 103 [1500]
<b>Adjustment option</b> A = Internal E = External F = Tamper resistant K = Knob		

SQ - Sequence Valves  
 CP240-8