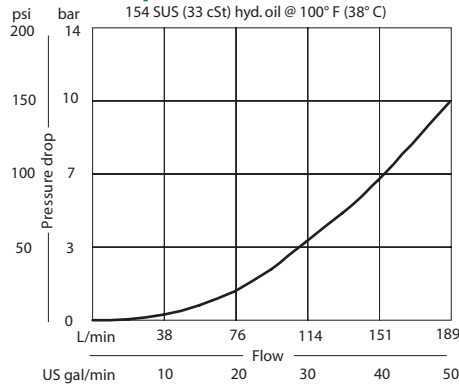


OPERATION

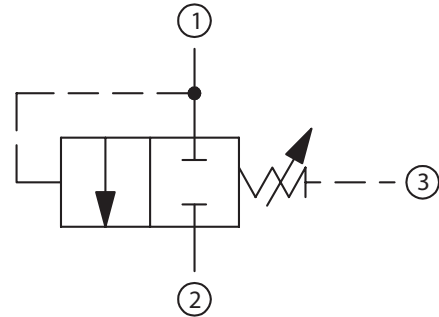
Valve blocks flow from 1 to 2 until sufficient pressure is applied at 1.

SPECIFICATIONS

Theoretical performance



Schematic



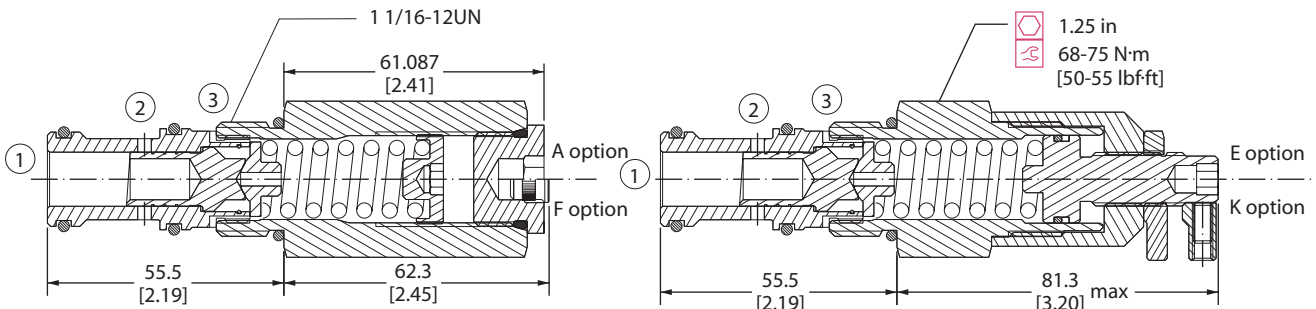
Specifications

Rated pressure	206 bar [3000 psi]
Rated flow at 7 bar [100 psi]	150 l/min [39 US gal/min]
Weight	0.41 kg [0.90 lb]
Cavity	CP12-3S

DIMENSIONS

mm [in]

Cross-sectional view



ORDERING INFORMATION

CP241-8-B-10S-A-C-050

Seals
 B= Buna-N
 V= Viton

Seal kit
 120680
 120681

Pressure range
 A = 1-10 bar [13-150 psi]
 B = 3.4-28 bar [50-400 psi]
 C = 5.5-41 bar [80-600 psi]

Pressure setting
 Code x 10psi (0.69 bar)
 Example: 050 = 500 psi (35 bar)

Housing and ports
 0 = No Housing
 4B = Al, 1/2 BSP
 6B = Al, 3/4 BSP
 10S = Al, #10 SAE
 12S = Al, #12 SAE
 Other housings available

Housing P/N
 No Housing
 CP12-3S-4B/2B
 CP12-3S-6B/2B
 CP12-3S-10S/4S
 CP12-3S-12S/4S

Adjustment option
 A = Internal
 E = External
 F = Tamper resistant
 K = Knob