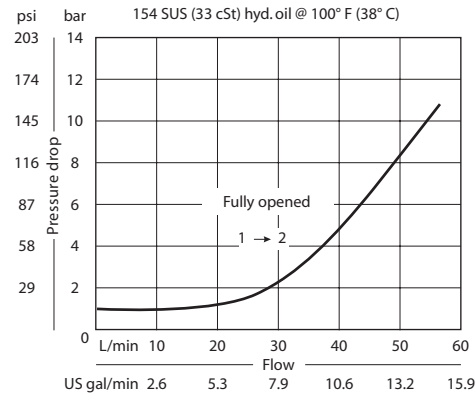


OPERATION

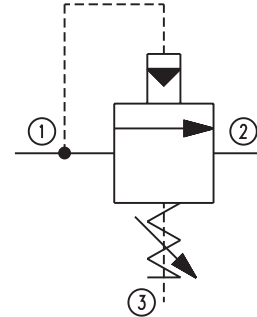
Valve is a pilot-operated sequence valve that blocks flow from 1 to 2 until sufficient pressure is applied at 1.

SPECIFICATIONS

Theoretical performance



Schematic



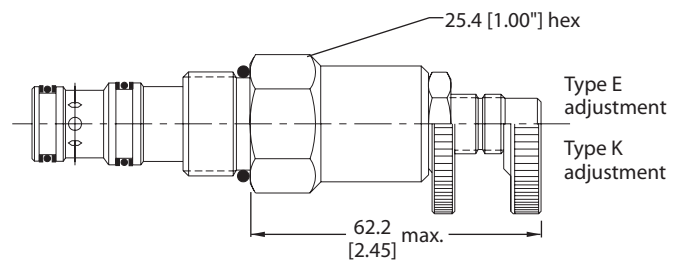
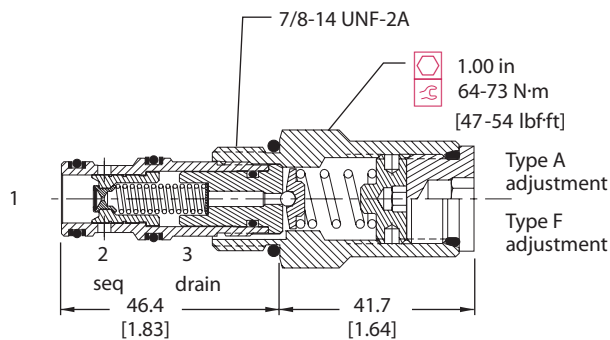
Specifications

Rated pressure	350 bar [5075 psi]
Rated flow at 7 bar [100 psi]	45 l/min [12 US gal/min]
Weight	0.23 kg [0.51 lb]
Cavity	SDC10-3

DIMENSIONS

mm [in]

Cross-sectional view



ORDERING INFORMATION

CP240 - 21 - B - 6S - A - C - 150

- Seals**
 B = Buna-N
 V = Viton
- Housing and ports**
 0 = No Housing
 SE3B = Al, 3/8 BSP
 SE4B = Al, 1/2 BSP
 6S = Al, #6 SAE
 8S = Al, #8 SAE
 Other housings available
- Adjustment option**
 A = Internal
 E = External
 F = Tamper resistant
 K = Knob

- Seal kit**
 120009
 120010
- Housing P/N**
 No Housing
 SDC10-3-SE-3B
 SDC10-3-SE-4B
 CP10-3-6S
 CP10-3-8S

- Crack pressure**
 Code x 10 = psi
 Example: 150 = 1500 psi
- Pressure range**
- | | bar | [psi] |
|--------------|--------|------------|
| A = | 14-55 | [200-800] |
| Std. setting | 28 | [400] |
| B = | 21-103 | [300-1500] |
| Std. setting | 69 | [1000] |
| C = | 28-207 | [400-3000] |
| Std. setting | 103 | [1500] |
| D = | 28-345 | [400-5000] |
| Std. setting | 103 | [1500] |

SQ - Sequence Valves
 CP240-21