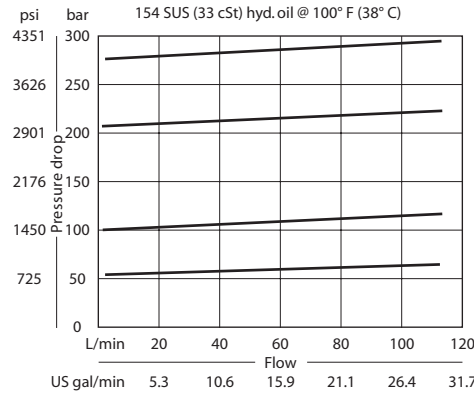


**OPERATION**

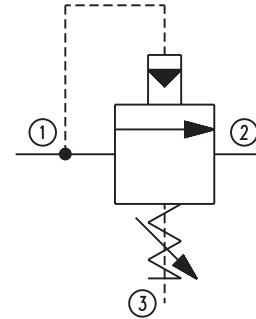
Valve is a pilot-operated sequence valve that blocks flow from 1 to 2 until sufficient pressure is applied at 1.

**SPECIFICATIONS**

**Theoretical performance**



**Schematic**



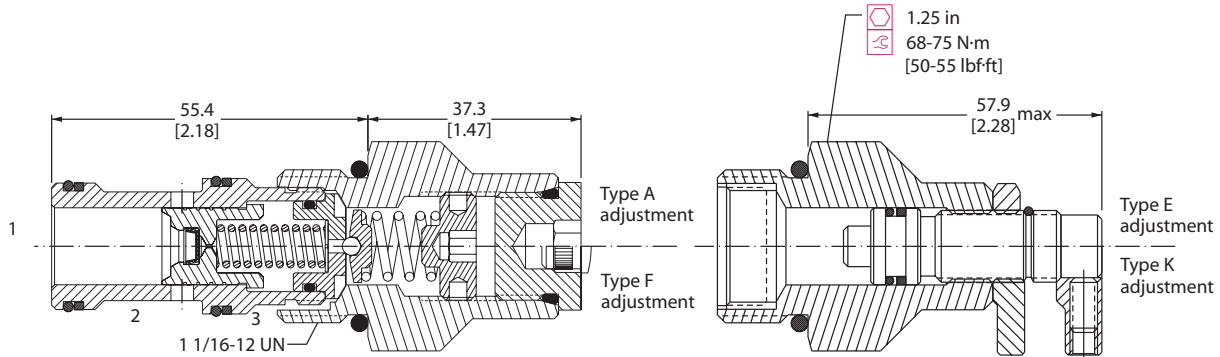
**Specifications**

Rated pressure	350 bar [5075 psi]
Rated flow at 7 bar [100 psi]	75 l/min [20 US gal/min]
Weight	0.17 kg [0.37 lb]
Cavity	CP12-3S

**DIMENSIONS**

mm [in]

**Cross-sectional view**



**ORDERING INFORMATION**

**CP241 - 21 - B - 6S - A - C - 150**

**Seals**  
 B = Buna-N  
 V = Viton

**Seal kit**  
 120335  
 120336

**Housing and ports**  
 0 = No Housing  
 4B = Al, 1/2 BSP  
 6B = Al, 3/4 BSP  
 10S = Al, #10 SAE  
 12S = Al, #12 SAE  
 Other housings available

**Housing P/N**  
 No Housing  
 CP12-3S-4B/2B  
 CP12-3S-6B/2B  
 CP12-3S-10S/4S  
 CP12-3S-12S/4S

**Adjustment option**  
 A = Internal  
 E = External  
 F = Tamper resistant  
 K = Knob

**Crack pressure**  
 Code x 10 = psi  
 Example: 150 = 1500 psi

**Pressure range**

Code	bar	[psi]
A	14-55	[200-800]
Standard	28	[400]
B	21-103	[300-1500]
Standard	69	[1000]
C	28-207	[400-3000]
Standard	103	[1500]
D	28-345	[400-5000]
Standard	103	[1500]