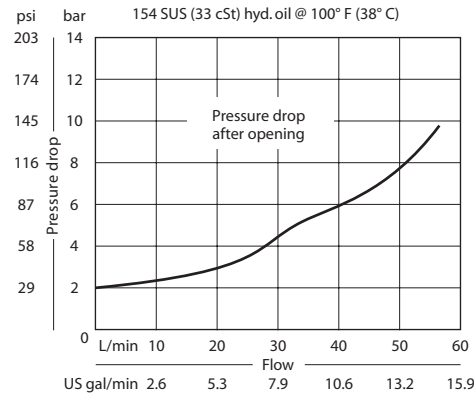


OPERATION

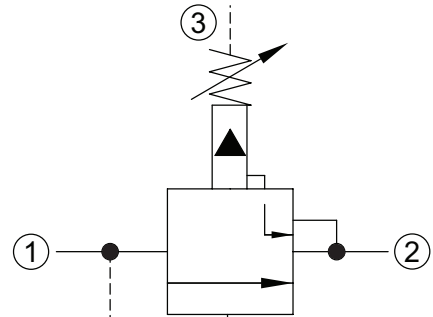
This is a "kick-down" type sequence valve that blocks flow from 1 to 2 until sufficient pressure is applied at 1. Once open, the valve remains open until flow is completely shut off.

SPECIFICATIONS

Theoretical performance



Schematic



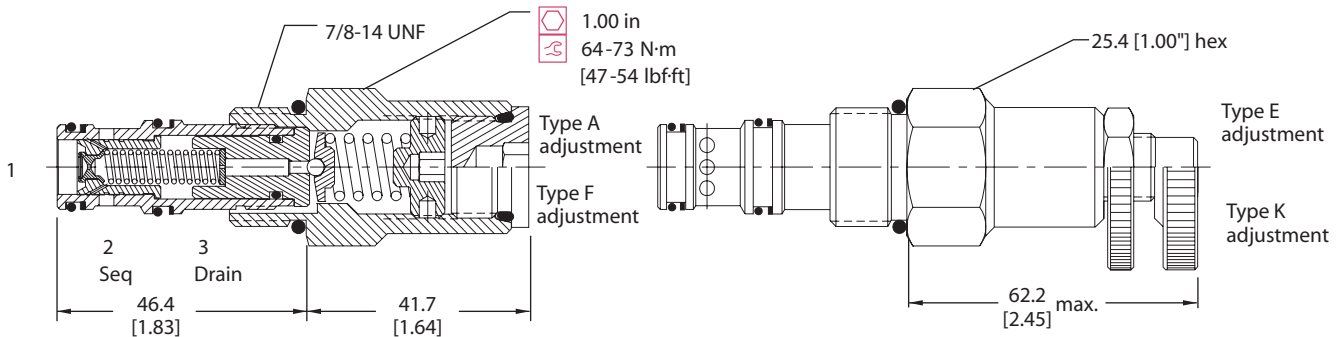
Specifications

Rated pressure	350 bar [5075 psi]
Rated flow at 7 bar [100 psi]	45 l/min [12 US gal/min]
Weight	0.19 kg [0.42 lb]
Cavity	SDC10-3

DIMENSIONS

mm [in]

Cross-sectional view



ORDERING INFORMATION

CP240 - 22 - B - 6S - A - C - 150

<p>Seals B = Buna-N V = Viton</p> <p>Housing and ports 0 = No Housing SE3B = Al, 3/8 BSP SE4B = Al, 1/2 BSP 6S = Al, #6 SAE 8S = Al, #8 SAE Other housings available</p> <p>Adjustment option A = Internal E = External F = Tamper resistant K = Knob</p>	<p>Seal kit 120027 120028</p> <p>Housing P/N No Housing SDC10-3-SE-3B SDC10-3-SE-4B CP10-3-6S CP10-3-8S</p>	<p>Crack pressure Code x 10 = psi Example: 150 = 1500 psi</p> <p>Pressure range</p> <table border="1"> <thead> <tr> <th></th> <th>bar</th> <th>[psi]</th> </tr> </thead> <tbody> <tr> <td>A</td> <td>14-55</td> <td>[200-800]</td> </tr> <tr> <td>Standard</td> <td>28</td> <td>[400]</td> </tr> <tr> <td>B</td> <td>21-103</td> <td>[300-1500]</td> </tr> <tr> <td>Standard</td> <td>69</td> <td>[1000]</td> </tr> <tr> <td>C</td> <td>28-207</td> <td>[400-3000]</td> </tr> <tr> <td>Standard</td> <td>103</td> <td>[1500]</td> </tr> <tr> <td>D</td> <td>28-345</td> <td>[400-5000]</td> </tr> <tr> <td>Standard</td> <td>103</td> <td>[1500]</td> </tr> </tbody> </table>		bar	[psi]	A	14-55	[200-800]	Standard	28	[400]	B	21-103	[300-1500]	Standard	69	[1000]	C	28-207	[400-3000]	Standard	103	[1500]	D	28-345	[400-5000]	Standard	103	[1500]
	bar	[psi]																											
A	14-55	[200-800]																											
Standard	28	[400]																											
B	21-103	[300-1500]																											
Standard	69	[1000]																											
C	28-207	[400-3000]																											
Standard	103	[1500]																											
D	28-345	[400-5000]																											
Standard	103	[1500]																											