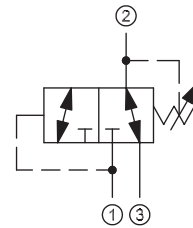


OPERATION

This valve drains 3 to 2 when the pressure at 1 is below the spring setting, and connects 1 to 2 when the pressure at 1 exceeds the spring setting. Note that pressure at 2 is additive to the spring setting.

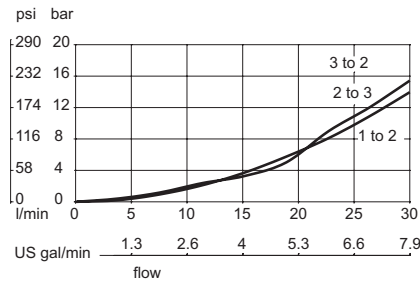
Schematic



SPECIFICATIONS

Theoretical performance

33 cSt [154 SUS] hyd.oil @ 38°C [100° F]



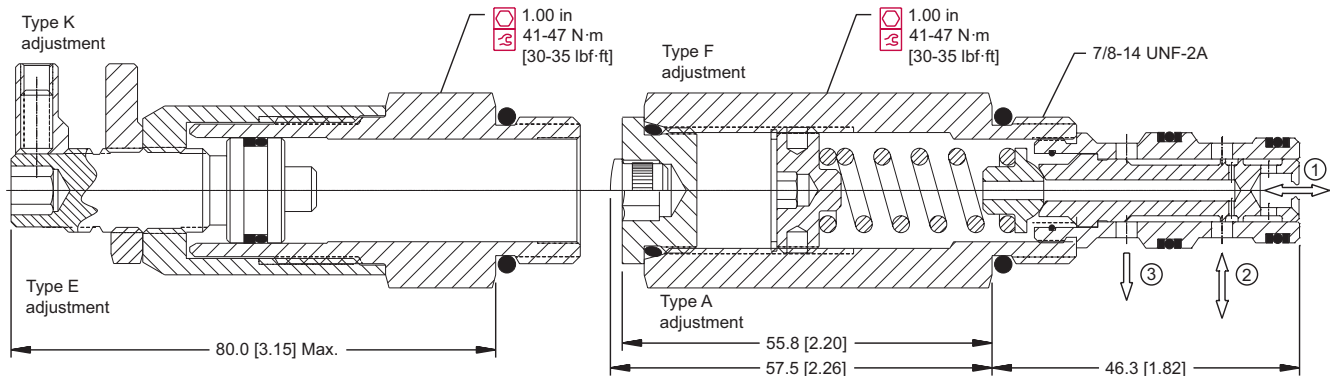
Specifications

| | |
|-------------------------------|-------------------------|
| Rated pressure | 210 bar [3000 psi] |
| Rated flow at 7 bar [100 psi] | 20 l/min [5 US gal/min] |
| Weight | 0.24 kg [0.52 lb] |
| Cavity | SDC10-3 |

DIMENSIONS

mm [in]

Cross-sectional view



ORDERING INFORMATION

CP240-9-B-6S-E-A-020

Seals

Seal kit
B = Buna-n 120009
V = Viton 120010

Housing and ports

0 = No Housing
SE3B = Al, 3/8 BSP
SE4B = Al, 1/2 BSP
6S = Al, #6 SAE
8S = Al, #8 SAE
Other housings available

Housing P/N

No Housing
SDC10-3-SE-3B
SDC10-3-SE-4B
CP10-3-6S
CP10-3-8S

Crack Pressure

Code x 0.69 = bar
[Code x 10 = psi]
Example: 020 = 14 bar [200 psi]

Pressure range

| bar | [psi] |
|------------------|---------------|
| A = 6.9 - 27.6 | [100 - 400] |
| B = 20.7 - 55.2 | [300 - 800] |
| C = 20.7 - 96.5 | [300 - 1400] |
| D = 68.9 - 165.5 | [1000 - 2400] |

Adjustment option

A = Internal
E = External
F = Tamper resistant
K = Knob