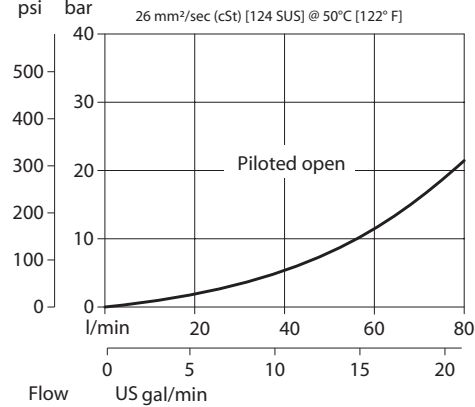


OPERATION

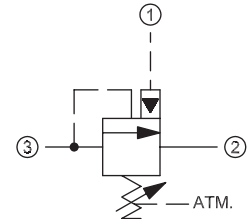
This is a pilot-operated, atmospherically-vented, unloading valve.

SPECIFICATIONS

Theoretical performance



Schematic

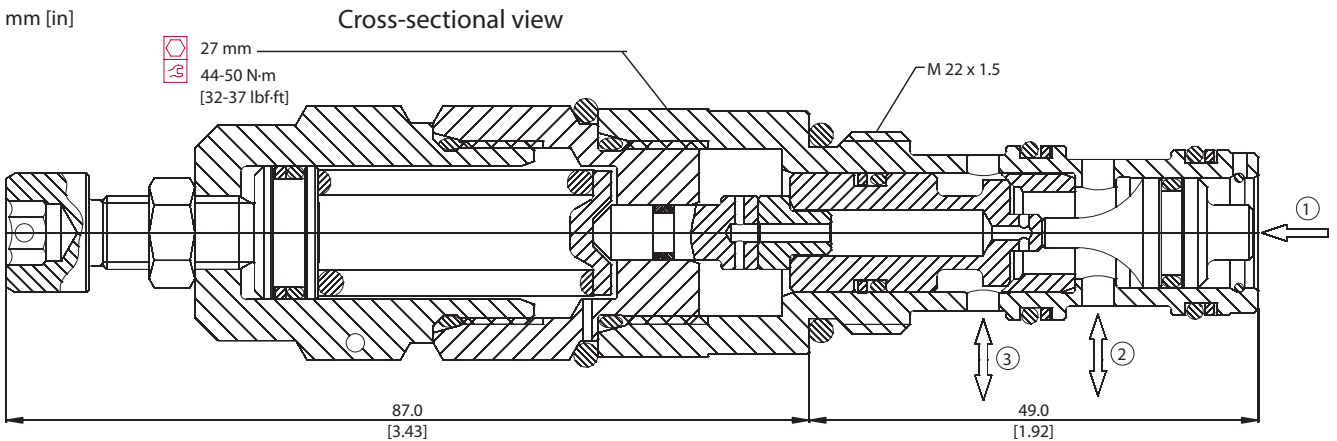


Specifications

Rated pressure	350 bar [5075 psi]
Rated flow	80 l/min [21 US gal/min]
Weight	0.29 kg [0.64 lb]
Cavity	NCS06/3

DIMENSIONS

mm [in]



ORDERING INFORMATION

VDB 06-CN - 2 - A - 00 - V

Setting range

- 1 = 25 - 140 bar [362 - 2031 psi]
- 2 = 70 - 210 bar [1015 - 3046 psi]
- 3 = 105 - 350 bar [1523 - 5076 psi]

Pilot ratio

- A = 7.1 : 1
- B = 4.1 : 1
- E = 1 : 1

Seals

- V = Viton
- Omit = Buna-N

Seal kit

- 230000110
- 230000070

Housing and ports

- 00 = No Housing
- SE3/8 = AL, 3/8 BSP
- SE1/2 = AL, 1/2 BSP
- SE6S = AL, #6 SAE
- SE8S = AL, #8 SAE
- Other housings available

Housing P/N

- No Housing
- NCS06/3-SE-3/8
- NCS06/3-SE-1/2
- NCS06/3-SE-6S
- NCS06/3-SE-8S

To order this valve with a specific factory setting, contact your Comatrol representative