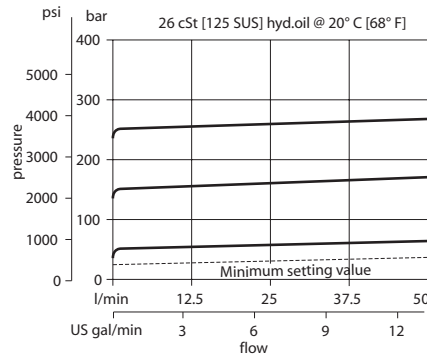


OPERATION

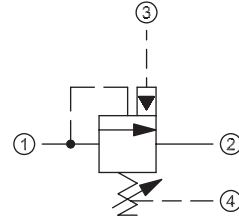
This is a normally-closed sequence valve that loads and unloads a system at a pre-determined ratio.

SPECIFICATIONS

Theoretical performance



Schematic

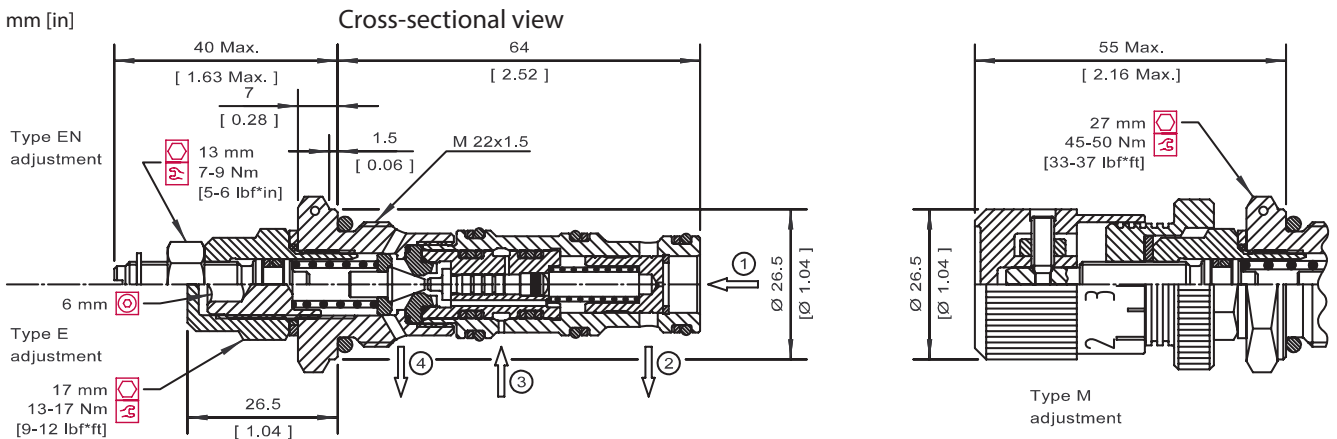


Specifications

Rated pressure	250 bar [3600 psi]
Rated flow	50 l/min [13 US gal/min]
Weight	0.22 kg [0.49 lb]
Cavity	NCS06/4

DIMENSIONS

mm [in]



ORDERING INFORMATION

AUV 06 - EN - 1 - A - L3/8 - V

Adjustment

E = Internal screw
 EN = External screw
 M = Handwheel

Setting range

1 = 10-70 bar [145-1015 psi]
 2 = 30-140 bar [435-2031 psi]
 3 = 70-210 bar [1015-3046 psi]

Pressure ratio

A = 85%

Seals

V = Viton
 Omit = Buna-N

Seal kit

230000350
 230000080

Housing and ports

00 = No Housing
 L3/8 = AL, 3/8 BSP
 L1/2 = AL, 1/2 BSP
 L6S = AL, #6 SAE
 L8S = AL, #8 SAE

Housing P/N

No Housing
 NCS06/4-L-3/8
 NCS06/4-L-1/2
 NCS06/4-L-6S
 NCS06/4-L-8S

Other housings available

To order this valve with a specific factory setting, contact your Comatrol representative