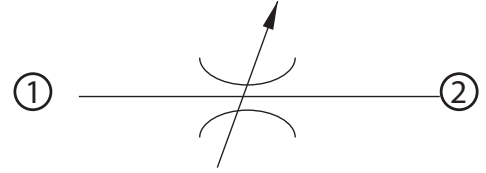


**OPERATION**

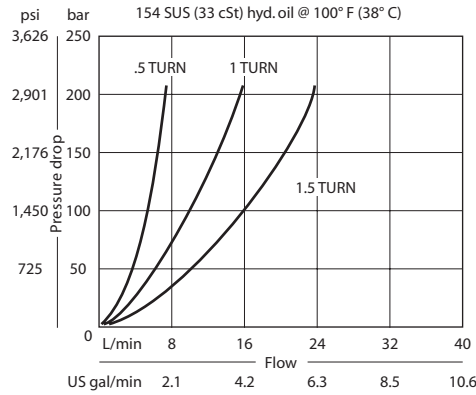
This valve is a non-pressure compensated, fine-metering, adjustable flow control valve.

**Schematic**



**SPECIFICATIONS**

**Theoretical performance**



**Specifications**

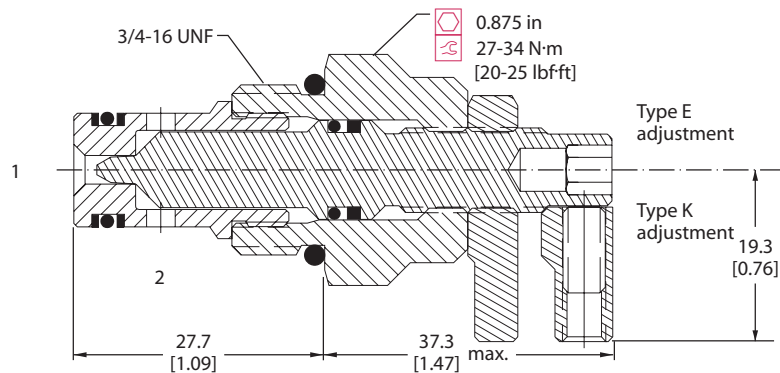
Rated pressure	310 bar [4500 psi]*
Rated flow at 7 bar [100 psi]	10 l/min [3 US gal/min]
Leakage	6 drops/min @ Rated pressure
Weight	0.12 kg 0.26 lb
Cavity	SDC08-2

\*Updated Pressure Rating

**DIMENSIONS**

mm in

**Cross-sectional view**



**ORDERING INFORMATION**

CP618-6-B-6S-K

Seals	B = Buna-N V = Viton	Seal kit 120227 120228	
Housing and ports	0 = No Housing DG2B = AL, 1/4 BSP DG3B = AL, 3/8 BSP 4S = AL, #4 SAE 6S = AL, #6 SAE Other housings available	Housing P/N No Housing SDC08-2-DG-2B SDC08-2-DG-3B CP08-2-4S CP08-2-6S	Adjustment option E = External K = Knob