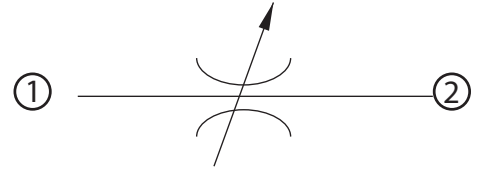


**OPERATION**

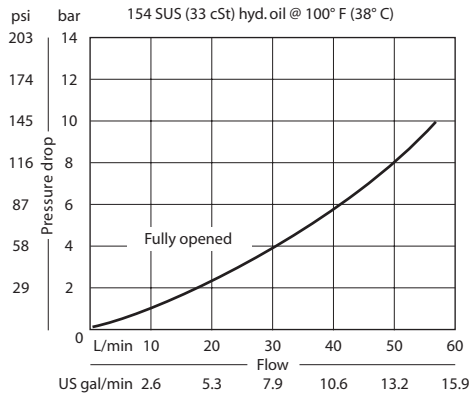
This valve is a non-pressure compensated, adjustable flow control valve.

**Schematic**



**SPECIFICATIONS**

**Theoretical performance**



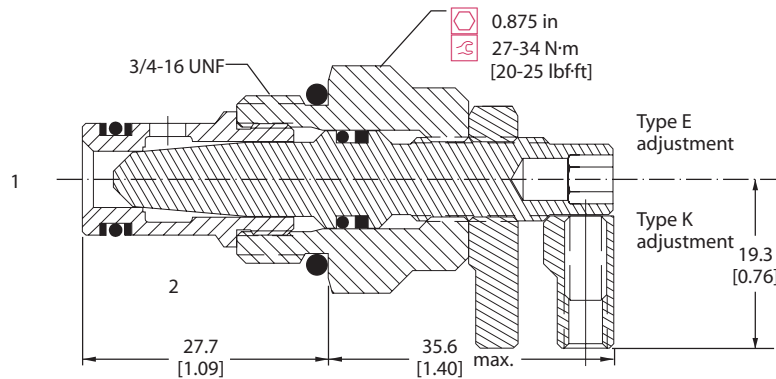
**Specifications**

<b>Rated pressure</b>	210 bar [3000 psi]
<b>Rated flow at 7 bar [100 psi]</b>	45 l/min [12 US gal/min]
<b>Leakage</b>	6 drops/min @ Rated pressure
<b>Weight</b>	0.09 kg [0.20 lb]
<b>Cavity</b>	SDC08-2

**DIMENSIONS**

mm in

**Cross-sectional view**



**ORDERING INFORMATION**

**CP618 - 2 - B - 6S - K**

Seals	Seal kit	Adjustment option
B = Buna-N	120227	E = External adjustment
V = Viton	120228	K = Knob adjustment
Housing and ports	Housing P/N	
0 = No Housing	No Housing	
DG2B = AL, 1/4 BSP	SDC08-2-DG-2B	
DG3B = AL, 3/8 BSP	SDC08-2-DG-2B	
4S = AL, #4 SAE	CP08-2-4S	
6S = AL, #6 SAE	CP08-2-6S	
Other housings available		