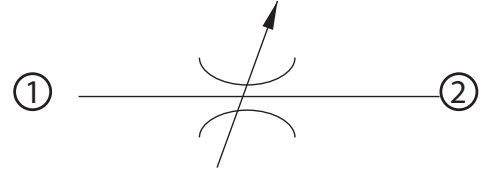


**OPERATION**

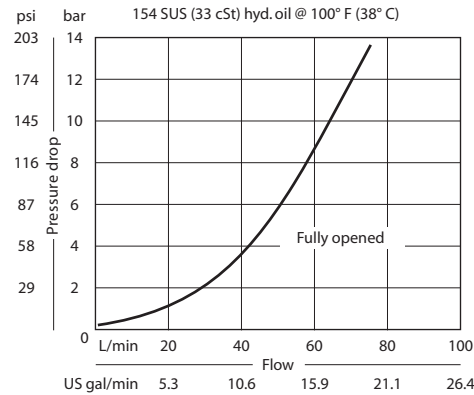
This valve is a non-pressure compensated, adjustable flow control valve.

**Schematic**



**SPECIFICATIONS**

**Theoretical performance**



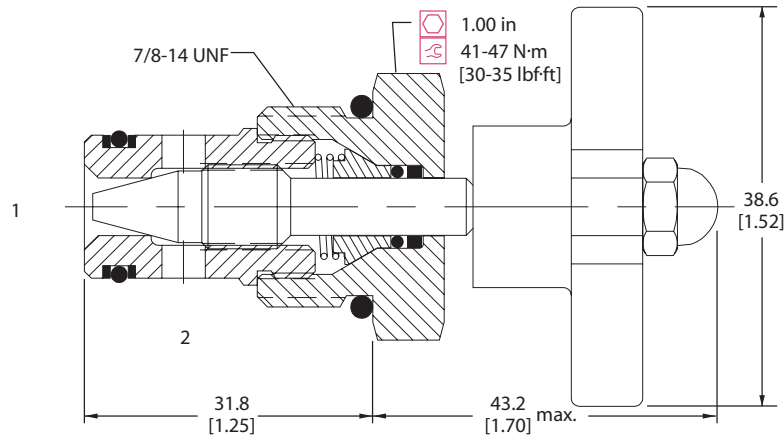
**Specifications**

<b>Rated pressure</b>	210 bar [3000 psi]
<b>Rated flow at 7 bar [100 psi]</b>	50 l/min [13 US gal/min]
<b>Leakage</b>	6 drops/min @ Rated pressure
<b>Weight</b>	0.10 kg [0.22 lb]
<b>Cavity</b>	SDC10-2

**DIMENSIONS**

mm in

**Cross-sectional view**



**ORDERING INFORMATION**

**CP610 - 1 - B - 8S - B**

<b>Seals</b>			
B = Buna-N	Seal kit		
V = Viton	120073		
	120074		
<b>Housing and ports</b>	<b>Housing P/N</b>		<b>Knob option</b>
0 = No Housing	No Housing		B = Black
DG3B = AL, 3/8 BSP	SDC10-2-DG-3B		R = Red
DG4B = AL, 1/2 BSP	SDC10-2-DG-4B		
6S = AL, #6 SAE	CP10-2-6S		
8S = AL, #8 SAE	CP10-2-8S		
Other housings available			