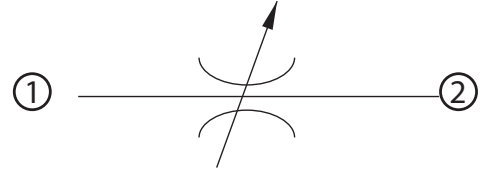


OPERATION

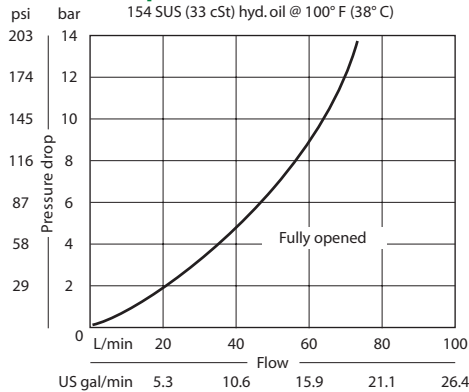
This valve is a non-pressure compensated, adjustable flow control valve.

Schematic



SPECIFICATIONS

Theoretical performance



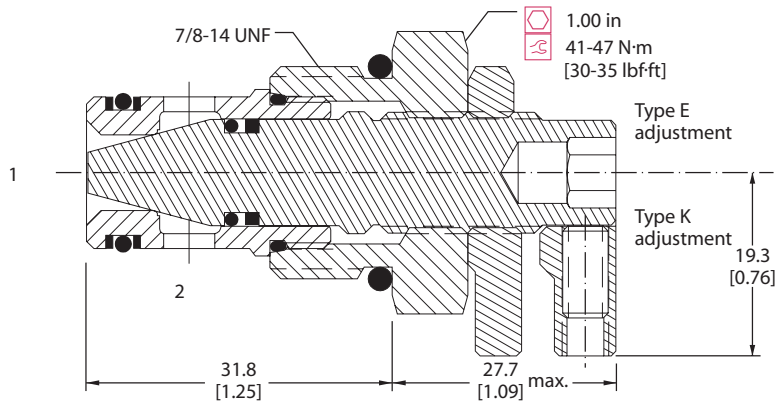
Specifications

Rated pressure	210 bar [3000 psi]
Rated flow at 7 bar [100 psi]	50 l/min [13 US gal/min]
Leakage	6 drops/min @ Rated pressure
Weight	0.13 kg [0.29 lb]
Cavity	SDC10-2

DIMENSIONS

mm in

Cross-sectional view



ORDERING INFORMATION

CP610 - 2 - B - 8S - K

Seals
 B = Buna-N
 V = Viton

Housing and ports
 0 = No Housing
 DG3B = AL, 3/8 BSP
 DG4B = AL, 1/2 BSP
 6S = AL, #6 SAE
 8S = AL, #8 SAE
 Other housings available

Seal kit
 120073
 120074

Housing P/N
 No Housing
 SDC10-2-DG-3B
 SDC10-2-DG-4B
 CP10-2-6S
 CP10-2-8S

Adjustment option
 E = External
 K = Knob