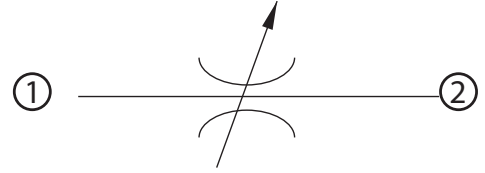


OPERATION

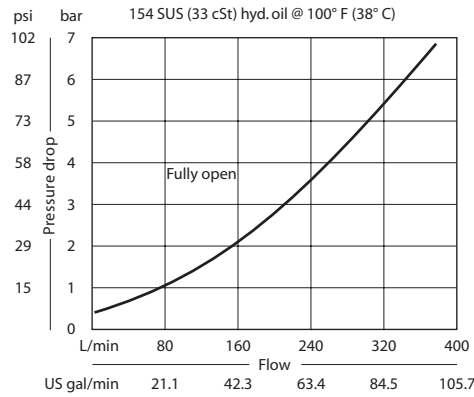
This valve is a non-pressure compensated, adjustable flow control valve.

Schematic



SPECIFICATIONS

Theoretical performance



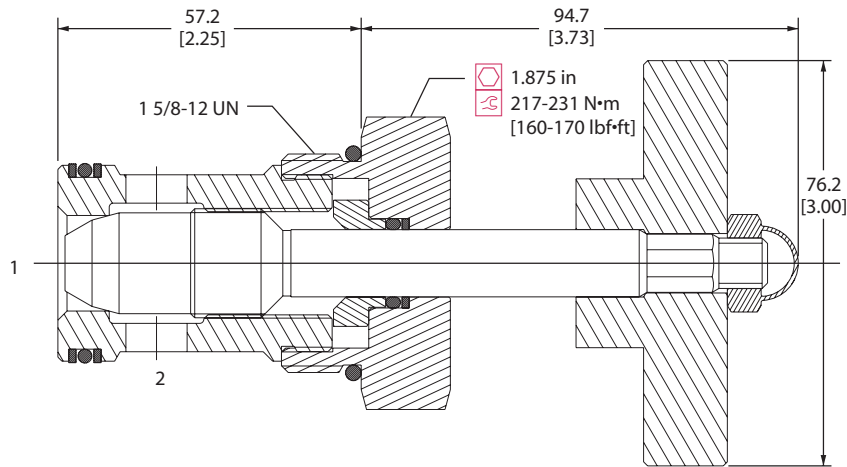
Specifications

Rated pressure	210 bar 3000 psi
Rated flow at 7 bar [100 psi]	380 l/min [100 US gal/min]
Leakage	6 drops/min @ Rated pressure
Weight	0.85 kg [1.87 lb]
Cavity	SDC20-2

DIMENSIONS

mm in

Cross-sectional view



ORDERING INFORMATION

CP613-1-B-16S

Housing and ports

- 0 = No Housing
- 8B = AL, 1 BSP
- 10B = AL, 1-1/4 BSP
- 16S = AL, #16 SAE
- 20S = AL, #20 SAE
- Other housings available

Housing P/N

- No Housing
- CP20-2-8B
- CP20-2-10B
- CP20-2-16S
- CP20-2-20S

Seals

- | | |
|------------|-----------|
| | Seal kits |
| B = Buna-N | 120172 |
| V = Viton | 120173 |