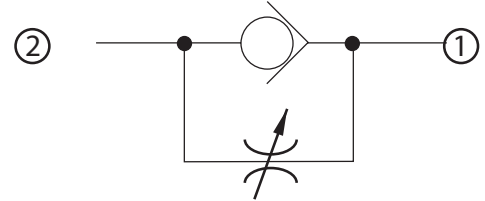


**OPERATION**

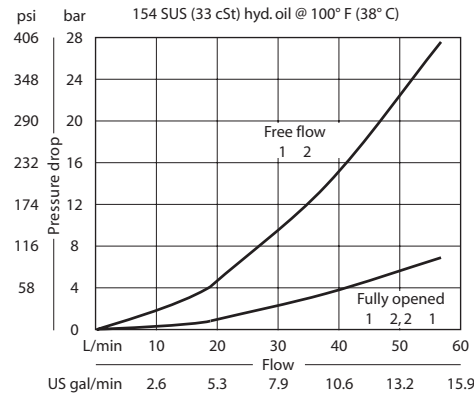
This valve is an adjustable orifice with free reverse flow.

**Schematic**



**SPECIFICATIONS**

**Theoretical performance**



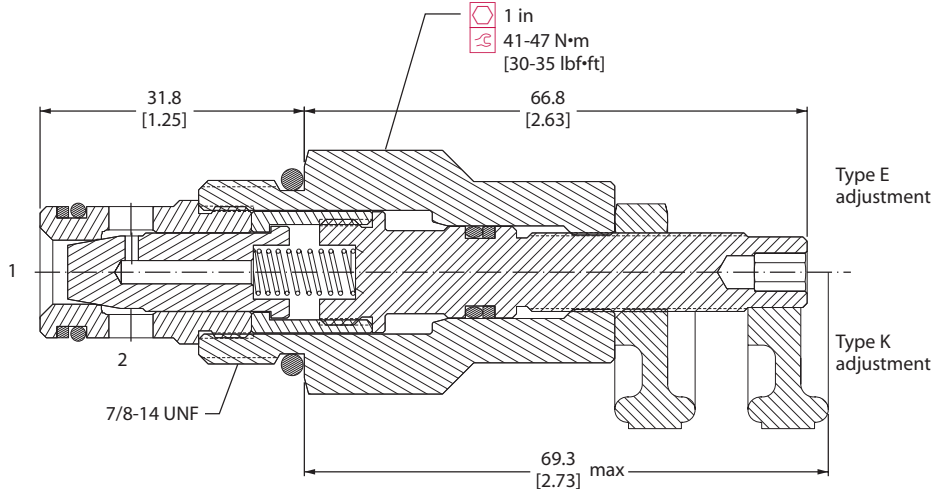
**Specifications**

<b>Rated pressure</b>	350 bar [5075 psi]
<b>Rated flow at 7 bar [100 psi]</b>	55 l/min [15 US gal/min]
<b>Leakage</b>	30 drops/min @ Rated pressure
<b>Weight</b>	0.18 kg [0.40 lb]
<b>Cavity</b>	SDC10-2

**DIMENSIONS**

mm in

**Cross-sectional view**



**ORDERING INFORMATION**

CP610 - 7 - B - 8S - K

**Seals**

B = Buna-N  
 V = Viton

Seal kit  
 120015  
 120016

**Housing and ports**

0 = No Housing  
 DG3B = AL, 3/8 BSP  
 DG4B = AL, 1/2 BSP  
 6S = AL, #6 SAE  
 8S = AL, #8 SAE  
 Other housings available

**Housing P/N**

No Housing  
 SDC10-2-DG-3B  
 SDC10-2-DG-4B  
 CP10-2-6S  
 CP10-2-8S

**Adjustment option**

E = External  
 K = Knob