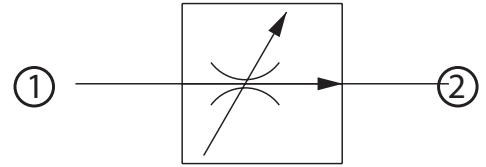


OPERATION

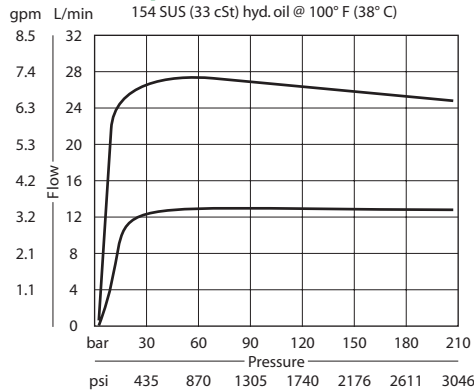
This valve is a limited adjustment pressure compensated flow control valve.

Schematic



SPECIFICATIONS

Theoretical performance



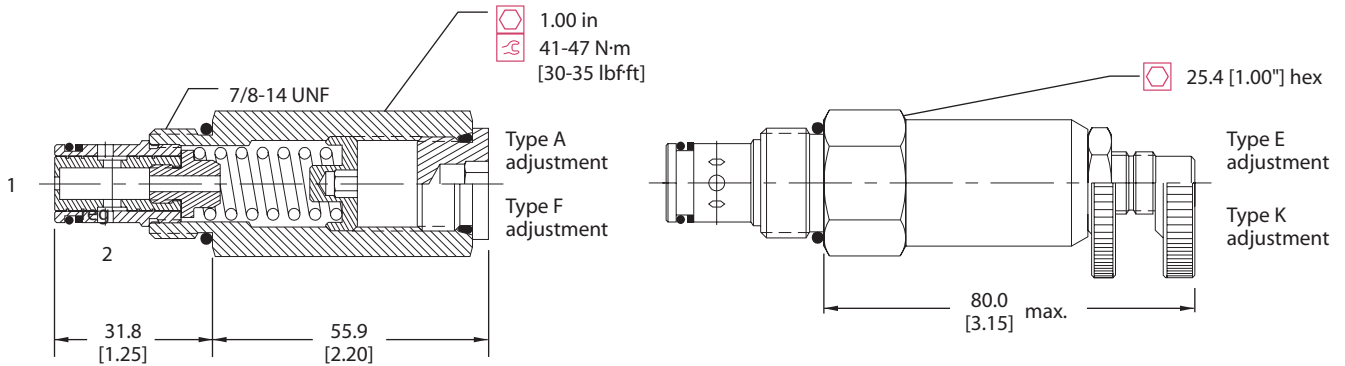
Specifications

Rated pressure	210 bar [3000 psi]
Max regulated flow	23 l/min [6 US gal/min]
Weight	0.24 kg [0.52 lb]
Accuracy ± 20%	0.5-2.2 l/min [0.1-0.5 US gal/min]
± 15%	2.3-6.8 l/min [0.5-1.5 US gal/min]
± 10%	6.8-27.3 l/min [1.5-6 US gal/min]
Cavity	SDC10-2

DIMENSIONS

mm in

Cross-sectional view



ORDERING INFORMATION

- Seals**
 B = Buna-N
 V = Viton
- Housing and ports**
 0 = No Housing
 DG3B = Al, 3/8 BSP
 DG4B = Al, 1/2 BSP
 6S = Al, #6 SAE
 8S = Al, #8 SAE
 Other housings available

- CP300 - 2 - B - 8S - A - 2.5**
- Seal kit**
 120015
 120016
- Housing P/N**
 No Housing
 SDC10-2-DG-3B
 SDC10-2-DG-4B
 CP10-2-6S
 CP10-2-8S

Regulated Flow

L/min	[US gal/min]
0.5	2.4 [0.5]
To	
6.0	22.7 [6.0]

- Adjustment option**
 A = Internal
 E = External
 F = Tamper resistant
 K = Knob