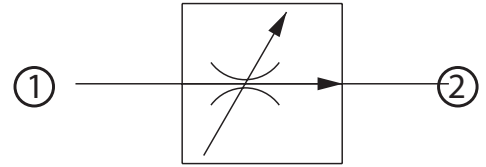


**OPERATION**

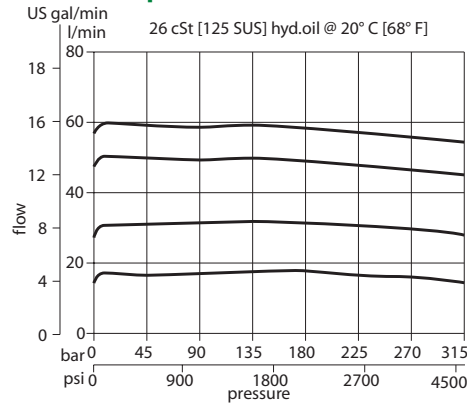
This valve is a limited adjustment, pressure compensated, restrictive-type flow control valve.

**Schematic**



**SPECIFICATIONS**

**Theoretical performance**



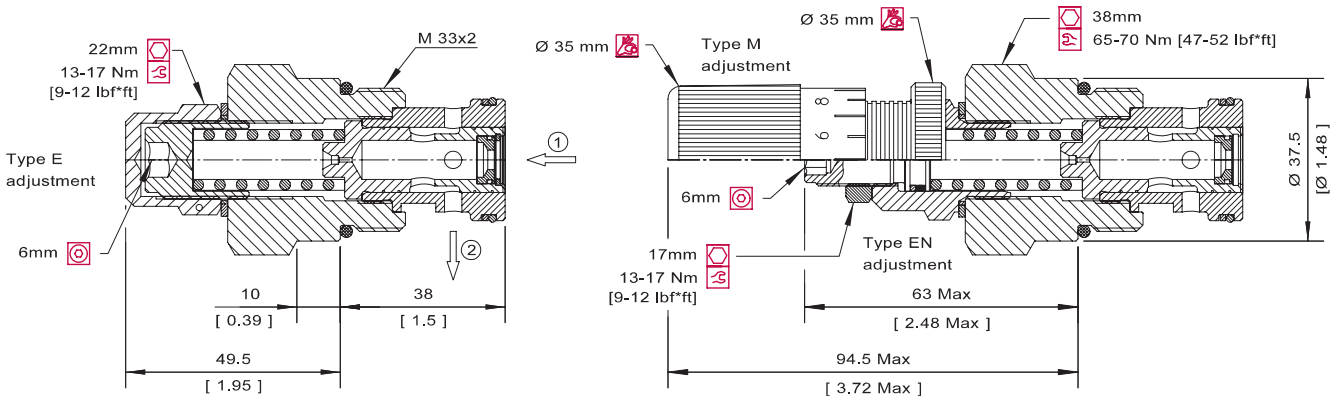
**Specifications**

<b>Rated pressure</b>	315 bar [4500 psi]
<b>Max regulated flow</b>	60 l/min [16 US gal/min]
<b>Weight</b>	0.44 kg [0.97 lb]
<b>Cavity</b>	NCS12/2

**DIMENSIONS**

**Cross-sectional view**

mm in



**ORDERING INFORMATION**

**VR 12 - EN-1.25 - 00 - V**

**Adjustment**  
 E = Internal screw  
 EN = External screw  
 M = Handwheel

**Orifice size**

mm	L/min	[US gal/m]
1.50	2.5-6.5	[0.7-1.7]
2.50	6-16	[1.6-4.2]
4.00	16-40	[4.2-10.6]
5.00	25-60	[6.6-15.8]

**Seals**  
 V = Viton  
 Omit = Buna-N

**Seal kit**  
 230000470  
 230000120

**Housing and ports**  
 00 = No Housing  
 DG1/2 = AL, 1/2 BSP  
 DG3/4 = AL, 3/4 BSP  
 DG8S = AL, #8 SAE  
 DG12S = AL, #12 SAE  
 Other housings available

**Housing P/N**  
 No Housing  
 NCS12/2-DG-1/2  
 NCS12/2-DG-3/4  
 NCS12/2-DG-8S  
 NCS12/2-DG-12S