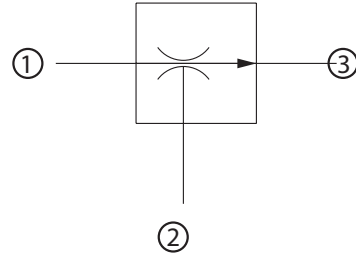


**OPERATION**

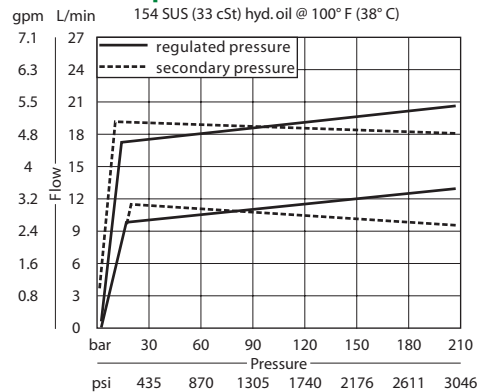
This valve is a fixed, pressure compensated priority-type flow control valve.

**Schematic**



**SPECIFICATIONS**

**Theoretical performance**



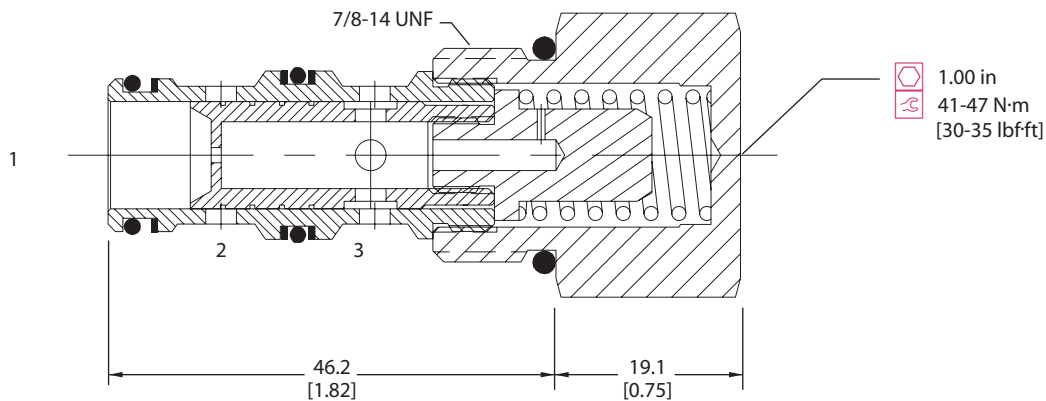
**Specifications**

<b>Rated pressure</b>	210 bar [3000 psi]
<b>Max regulated flow</b>	23 l/min [6 US gal/min]
<b>Max inlet flow</b>	38 l/min [10 US gal/min]
<b>Weight</b>	0.13 kg [0.29 lb]
<b>Accuracy ± 20%</b>	0.4-2.2 l/min [0.1-0.6 US gal/min]
<b>± 15%</b>	2.3-6.8 l/min [0.6-1.8 US gal/min]
<b>± 10%</b>	6.9-22.7 l/min [1.8-6 US gal/min]
<b>Cavity</b>	SDC10-3

**DIMENSIONS**

mm in

**Cross-sectional view**



**ORDERING INFORMATION**

**Seals**  
 B = Buna-N  
 V = Viton

**Housing and ports**  
 00 = No Housing  
 SE3B = Al, 3/8 BSP  
 SE4B = Al, 1/2 BSP  
 6S = Al, #6 SAE  
 8S = Al, #8 SAE  
 Other housings available

**Seal kit**  
 120240  
 120241

**Housing P/N**  
 No Housing  
 SDC10-3-SE-3B  
 SDC10-3-SE-4B  
 CP10-3-6S  
 CP10-3-8S

**CP310-1-B-8S-2.5**

**Regulated Flow**

L/min	[US gal/m]
0.1	[0.1]
6.0	[6.0]