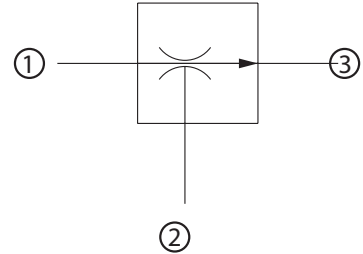


OPERATION

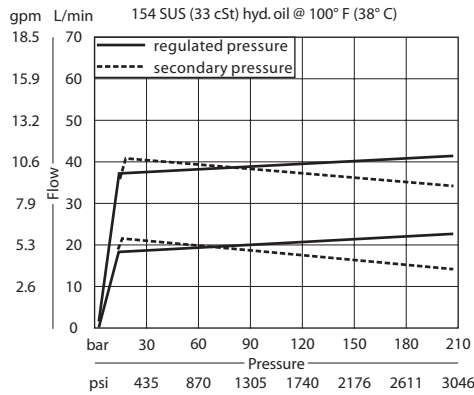
This valve is a fixed, pressure compensated priority-type flow control valve.

Schematic



SPECIFICATIONS

Theoretical performance



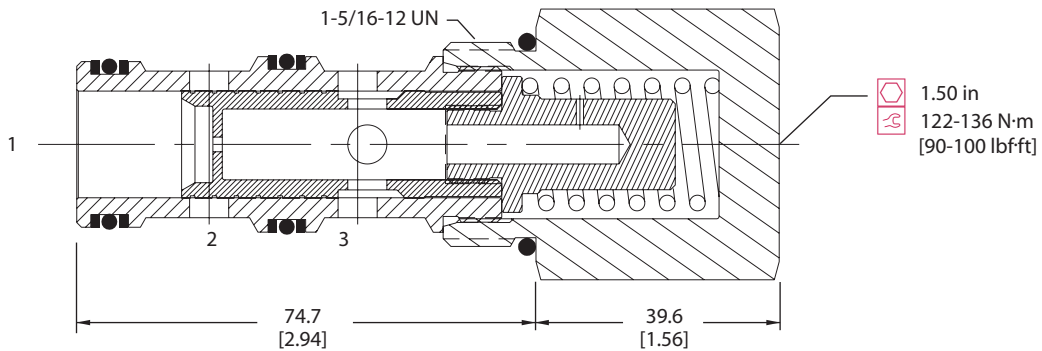
Specifications

Rated pressure	210 bar [3000 psi]
Max regulated flow	64 l/min [17 US gal/min]
Max inlet flow	130 l/min [34 US gal/min]
Weight	0.53 kg [1.17 lb]
Accuracy ± 15%	1.9-7.5 l/min [0.5-2 US gal/min]
± 10%	7.6-64.3 l/min [2-17 US gal/min]
Cavity	SDC16-3

DIMENSIONS

mm in

Cross-sectional view



ORDERING INFORMATION

CP312-1 - B - 16S - 10.0

Seal Option

Code	Seal Material	Seal kit
B	Buna	120202
V	Viton	120203

Housings & Ports	Housing P/N
0: Cartridge Only	No Housing
SE6B: 3/4 BSP, AL	SDC16-3-SE-6B
SE8B: 1 BSP, AL	SDC16-3-SE-8B
12S: #12 SAE, AL	CP16-3-12S
16S: #16 SAE, AL	CP16-3-16S

Other Housings available

Regulated Flow

Code	L/min [US gal/min]
0.5 =	1.9 [0.5]
To	
17.0 =	64.3 [17.0]