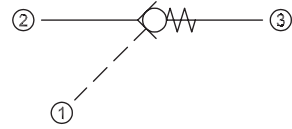


OPERATION

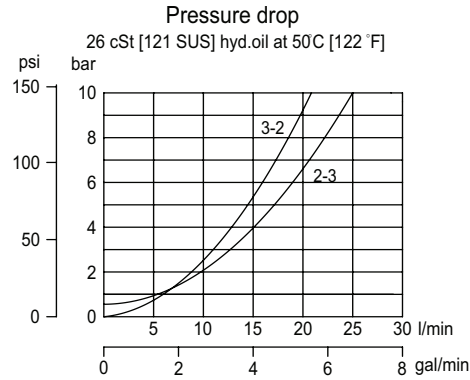
This is a pilot-to-open check valve.

Schematic



SPECIFICATIONS

Theoretical performance



Specifications

Rated pressure*	350 bar [5075 psi]
Rated flow at 7 bar [100 psi]	20.5 l/min [5.4 US gal/min]
Weight	0.06 kg [0.13 lb]
Pilot ratio	3.2:1
Cavity	NCS04/3

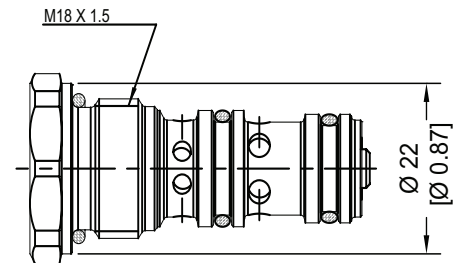
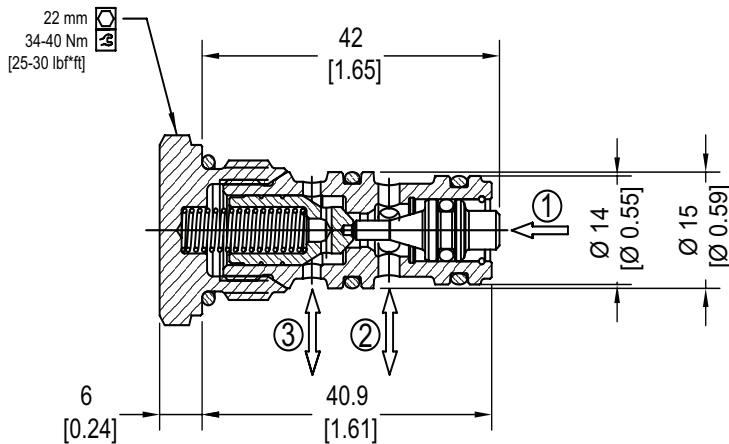
*Rated Pressure based on NFPA fatigue test standard (at 1 million cycles)

Note: A piston seal requires a 5 bar [72.5 psi] or greater return spring.

DIMENSIONS

mm [in]

Cross-sectional view



ORDERING INFORMATION

RPC04-2.5-OR-00-V

Pilot to Open

Crack Pressure	
0.5	0.5 bar [7 psi]
2.5	2.5 bar [36.25 psi]
5	5 bar [72.5 psi]
8	8 bar [116 psi]
15	15 bar [217.5 psi]

Pilot Seal Option

Omit	No seals
OR	Seals

Seal Option	Seal Kit
Omit = Buna-N	230000160
V = Viton	230000450

Code	Ports & Material	Body Nomenclature
00	00 = Cartridge only	No Housing
SE1/4	AL, 1/4 BSP	NCS04/3-SE-1/4
SE4S	AL, #4 SAE	NCS04/3-SE-4S
SE6S	AL, #6 SAE	NCS04/3-SE-6S

** Aluminum bodies are to be used for pressures less than 210 bar (3000 psi)

***Other housings available