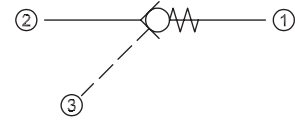


**OPERATION**

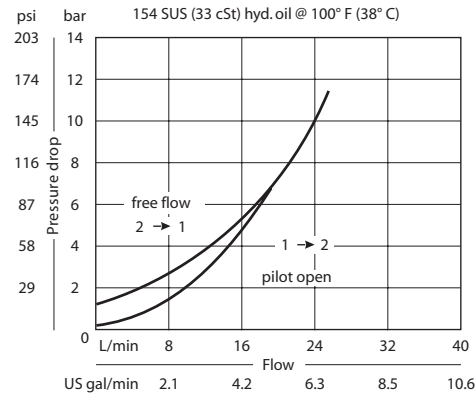
This valve is a pilot-to-open check valve.

**Schematic**



**SPECIFICATIONS**

**Theoretical performance**



**Specifications**

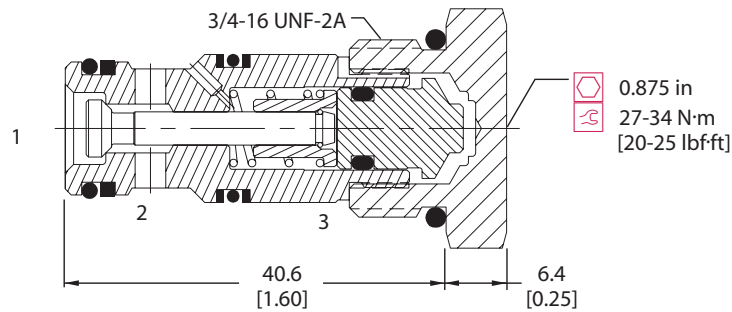
<b>Rated pressure</b>	210 bar [3000 psi]
<b>Rated flow at 7 bar [100 psi]</b>	20 l/min [5 US gal/min]
<b>Leakage</b>	6 drops/min @ Rated pressure
<b>Weight</b>	0.07 kg [0.15 lb]
<b>Pilot ratio</b>	2.8:1
<b>Cavity</b>	SDC08-3

Note: A piston seal requires a 4.5 bar [65 psi] or greater return spring.

**DIMENSIONS**

mm [in]

**Cross-sectional view**



**ORDERING INFORMATION**

**CP458 - 2 - B - 6S - 065 - 0**

<b>Seals</b> B = Buna-N V = Viton	<b>Seal kit</b> 120250 120253	<b>Piston seals</b> 0 = No seals S = Seals included
<b>Housing and ports</b> 0 = No Housing SE2B = Al, 1/4 BSP SE3B = Al, 3/8 BSP 4S = Al, #4 SAE 6S = Al, #6 SAE Other housings available	<b>Housing P/N</b> No Housing SDC08-3-SE-2B SDC08-3-SE-3B CP08-3-4S CP08-3-6S	<b>Crack Pressure</b> bar [psi] 065 = 4.48 [65]

PO - Pilot Operated Check Valves  
CP458-2