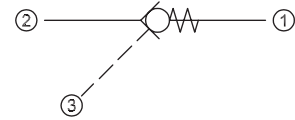


OPERATION

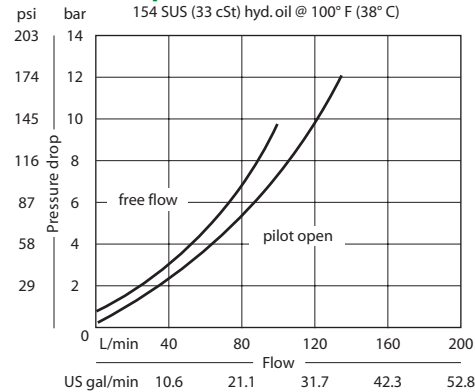
This valve is a pilot-to-open check valve.

Schematic



SPECIFICATIONS

Theoretical performance



Specifications

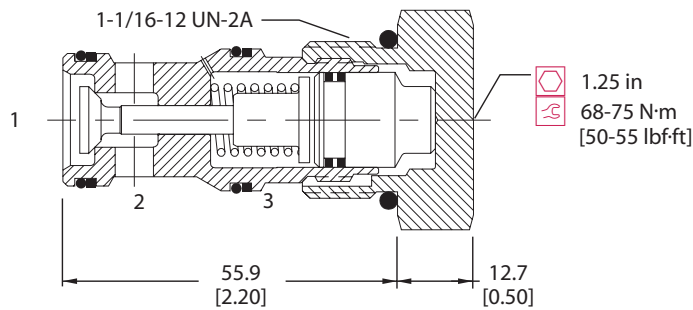
Rated pressure	210 bar [3000 psi]
Rated flow at 7 bar [100 psi]	95 l/min [25 US gal/min]
Leakage	6 drops/min @ Rated pressure
Weight	0.21 kg [0.46 lb]
Pilot ratio	3:1
Cavity	CP12-3S

Note: A piston seal requires a 4.5 bar [65 psi] or greater return spring.

DIMENSIONS

mm [in]

Cross-sectional view



ORDERING INFORMATION

CP451 - 2 - B - 12S - 065 - 0

Seals
 B = Buna-N
 V = Viton

Housing and ports
 0 = No Housing
 4B = Al, 1/2 BSP
 6B = Al, 3/4 BSP
 10S = Al, #10 SAE
 12S = Al, #12 SAE
 Other housings available

Seal kit
 120204
 120205

Housing P/N
 No Housing
 CP12-3S-4B/2B
 CP12-3S-6B/2B
 CP12-3S-10S/4S
 CP12-3S-12S/4S

Piston seals
 0 = No seals
 S = Seals included

Crack Pressure
 065 = 4.48 bar [65 psi]