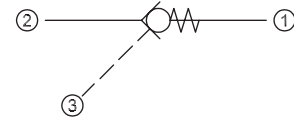


OPERATION

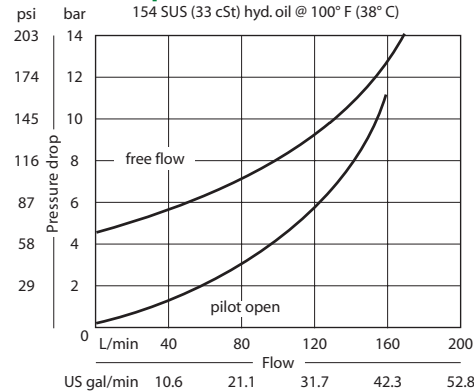
This valve is a pilot-to-open check valve.

Schematic



SPECIFICATIONS

Theoretical performance



Specifications

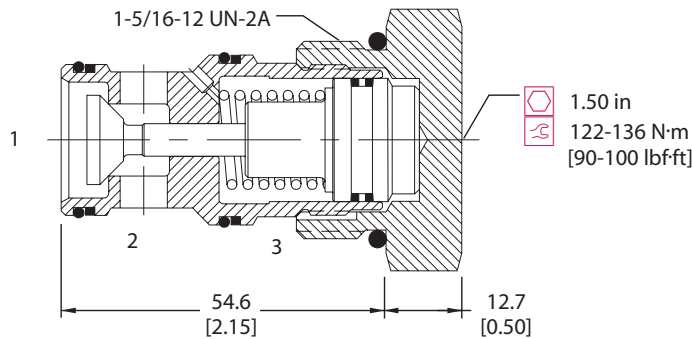
Rated pressure	210 bar [3000 psi]
Rated flow at 7 bar [100 psi]	130 l/min [34 US gal/min]
Leakage	6 drops/min @ Rated pressure
Weight	0.29 kg [0.64 lb]
Pilot ratio	3:1
Cavity	SDC16-3S

Note: A piston seal requires a 4.5 bar [65 psi] or greater return spring.

DIMENSIONS

mm [in]

Cross-sectional view



PO - Pilot Operated Check Valves
CP452-2

ORDERING INFORMATION

CP452-2 - B - 16S - 065 - 0

Seal Option

Code	Seal Material	Seal kit
B	Buna	120033
V	Viton	120034

Piston Seals

Code	
0	No seals
S	Seals Included

Housings & Ports	Housing P/N
0: Cartridge Only	No Housing
6B: 3/4 BSP, AL	CP16-3S-6B/2B
8B: 1 BSP, AL	CP16-3S-8B/2B
12S: #12 SAE, AL	CP16-3S-12S/4S
16S: #16 SAE, AL	CP16-3S-16S/4S

Other Housings available

Crack Pressure

Code	bar	[psi]
065	4.48	[65]