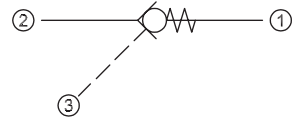


OPERATION

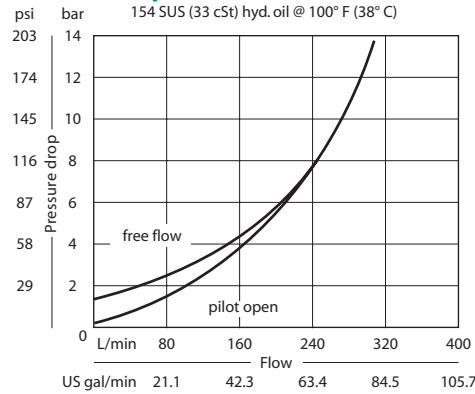
This valve is a pilot-to-open check valve.

Schematic



SPECIFICATIONS

Theoretical performance



Specifications

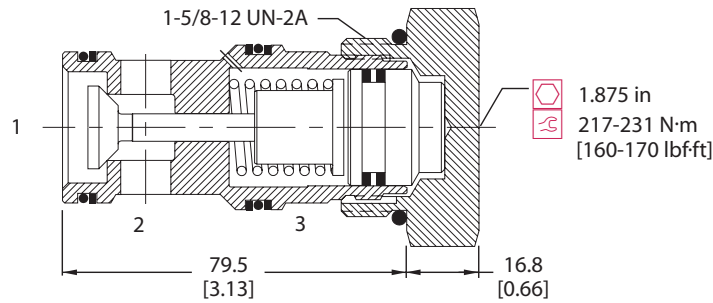
Rated pressure	210 bar [3000 psi]
Rated flow at 7 bar [100 psi]	230 l/min [61 US gal/min]
Leakage	6 drops/min @ Rated pressure
Weight	0.66 kg [1.46 lb]
Pilot ratio	3:1
Cavity	CP20-3S

Note: A piston seal requires a 4.5 bar [65 psi] or greater return spring.

DIMENSIONS

mm [in]

Cross-sectional view



ORDERING INFORMATION

CP453 - 2 - B - 20S - 065 - 0

Seals B = Buna-N V = Viton	Seal kit 120380 120381	Piston seals 0 = No seals S = Seals included
Housing and ports 0 = No Housing 8B = Al, 1 BSP 10B = Al, 1-1/4 BSP 16S = Al, #16 SAE 20S = Al, #20 SAE Other housings available	Housing P/N No Housing CP20-3S-8B/2B CP20-3S-10B/2B CP20-3S-16S/4S CP20-3S-20S/4S	Crack Pressure bar [psi] 065 = 4.48 [65]

PO - Pilot Operated Check Valves
CP453-2