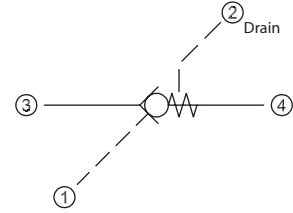


OPERATION

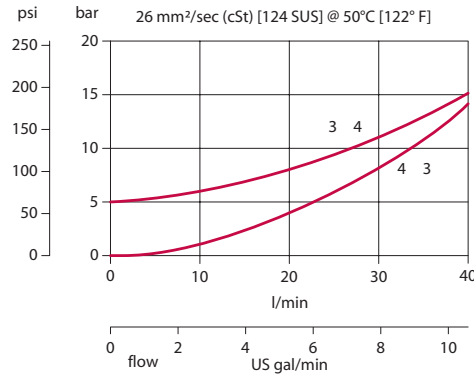
This is a pilot-to-open check valve with an internal drain.

Schematic



SPECIFICATIONS

Theoretical performance



Specifications

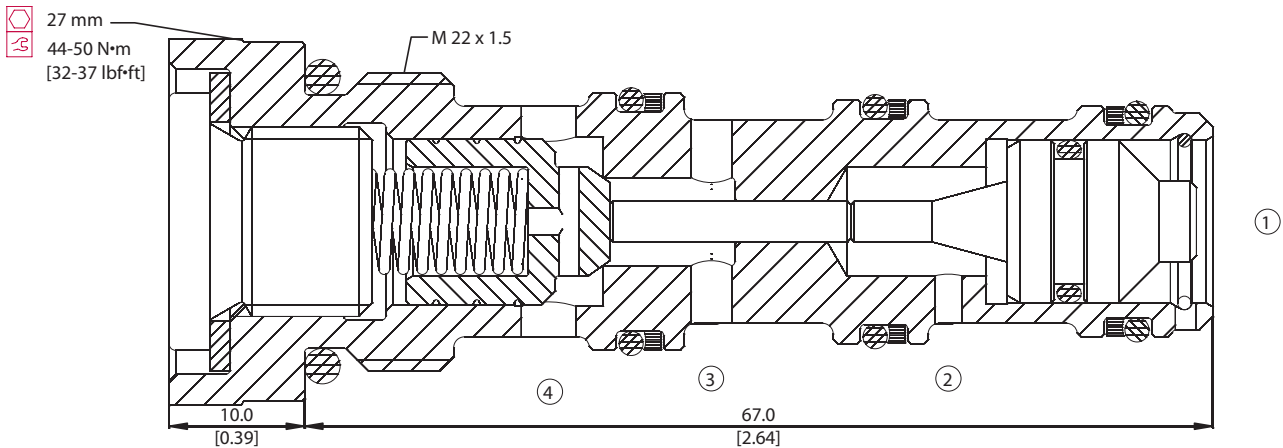
Rated pressure	315 bar [4500 psi]
Rated flow at 7 bar [100 psi]	30 l/min [8 US gal/min]
Weight	0.13 kg [0.29 lb]
Pilot ratio	3.4:1
Cavity	NCS06/4

Note: A piston seal requires a 4.5 bar [65 psi] or greater return spring.

DIMENSIONS

mm [in]

Cross-sectional view



ORDERING INFORMATION

RPV 06 - 5 - OR - 00 - V

Piston seals
 OR = Seals
 Omit = No seals

Seals
 V = Viton
 Omit = Buna-N

Seal Kit
 Consult factory
 230000080

Housing and ports
 00 = No Housing
 L3/8 = AL, 3/8 BSP
 L3/4 = AL, 3/4 BSP
 L6S = AL, #6 SAE
 L8S = AL, #8 SAE
 Other housings available

Housing P/N
 No Housing
 NCS06/4-L-3/8
 NCS06/4-L-1/2
 NCS06/4-L-6S
 NCS06/4-L-8S