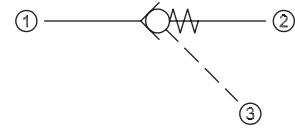


**OPERATION**

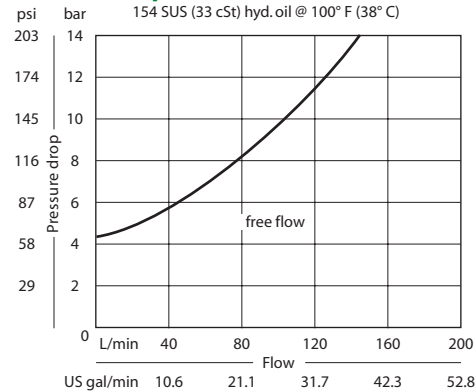
This valve is a pilot-to-close check valve.

**Schematic**



**SPECIFICATIONS**

**Theoretical performance**



**Specifications**

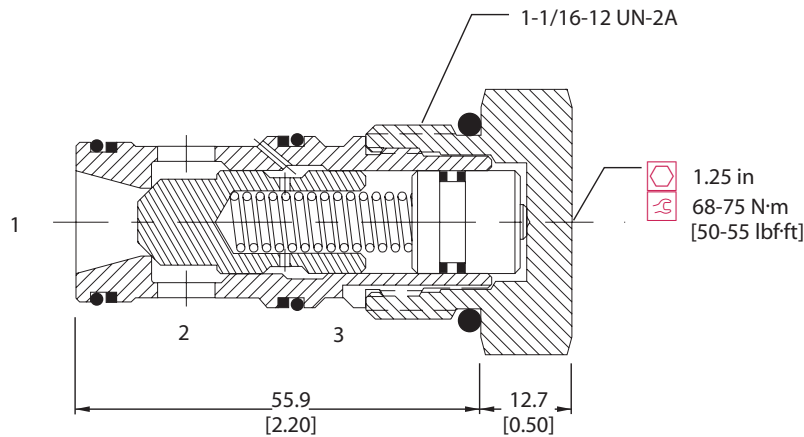
<b>Rated pressure</b>	210 bar [3000 psi]
<b>Rated flow at 7 bar [100 psi]</b>	60 l/min [16 US gal/min]
<b>Leakage</b>	6 drops/min @ Rated pressure
<b>Weight</b>	0.21 kg [0.47 lb]
<b>Pilot ratio</b>	2.3:1
<b>Cavity</b>	CP12-3S

Note: A piston seal requires a 4.5 bar [65 psi] or greater return spring.

**DIMENSIONS**

mm [in]

Cross-sectional view



**ORDERING INFORMATION**

**CP461 - 1 - B - 12S - 065 - 0**

<b>Seals</b>		<b>Piston seals</b>	
B = Buna-N	Seal kit 120335	0 = No seals	
V = Viton	Seal kit 120336	S = Seals included	
<b>Housing and ports</b>	<b>Housing P/N</b>	<b>Crack Pressure</b>	
0 = No Housing	No Housing	bar [psi]	
4B = Al, 1/2 BSP	CP12-3S-4B/2B	065 = 4.48 [65]	
6B = Al, 3/4 BSP	CP12-3S-6B/2B		
10S = Al, #10 SAE	CP12-3S-10S/4S		
12S = Al, #12 SAE	CP12-3S-12S/4S		

Other housings available

PO - Pilot Operated Check Valves  
CP461-1