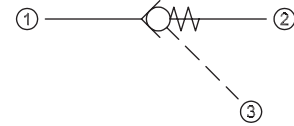


OPERATION

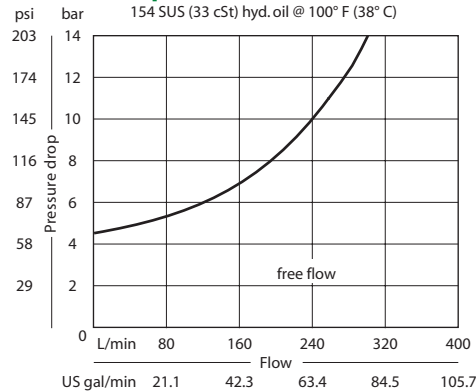
This valve is a pilot-to-close check valve.

Schematic



SPECIFICATIONS

Theoretical performance



Specifications

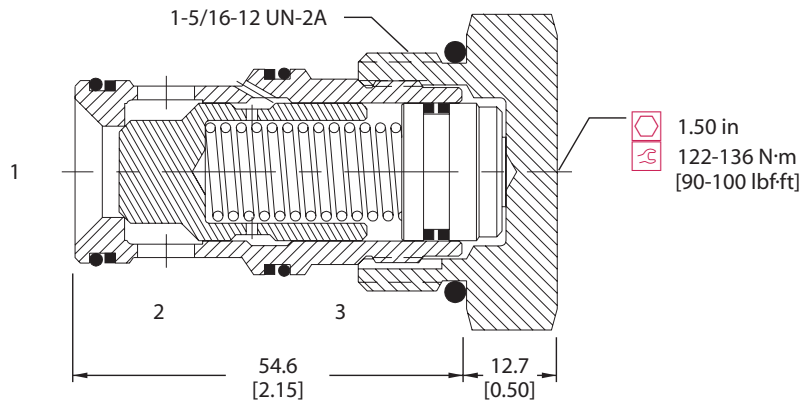
| | |
|--------------------------------------|------------------------------|
| Rated pressure | 210 bar [3000 psi] |
| Rated flow at 7 bar [100 psi] | 190 l/min [50 US gal/min] |
| Leakage | 6 drops/min @ Rated pressure |
| Weight | 0.29 kg [0.64 lb] |
| Pilot ratio | 2.3:1 |
| Cavity | SDC16-3S |

Note: A piston seal requires a 4.5 bar [65 psi] or greater return spring.

DIMENSIONS

mm [in]

Cross-sectional view



ORDERING INFORMATION

CP462-1 - B - 16S - 065 - 0

Seal Option

| Code | Seal Material | Seal kit |
|----------|---------------|----------|
| B | Buna | 120033 |
| V | Viton | 120034 |

Piston Seals

| Code | |
|----------|----------------|
| 0 | No seals |
| S | Seals Included |

| Housings & Ports | Housing P/N |
|--------------------------|----------------|
| 0: Cartridge Only | No Housing |
| 6B: 3/4 BSP, AL | CP16-3S-6B/2B |
| 8B: 1 BSP, AL | CP16-3S-8B/2B |
| 12S: #12 SAE, AL | CP16-3S-12S/4S |
| 16S: #16 SAE, AL | CP16-3S-16S/4S |

Other Housings available

| Crack Pressure | | |
|----------------|------|-------|
| Code | bar | [psi] |
| 065 | 4.48 | [65] |