

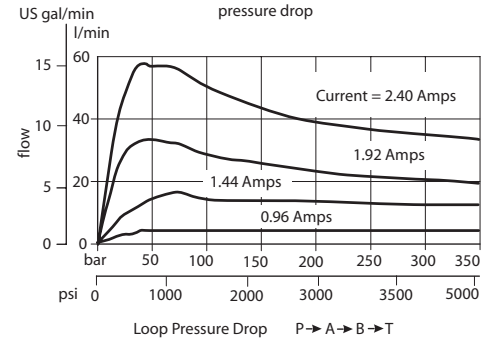
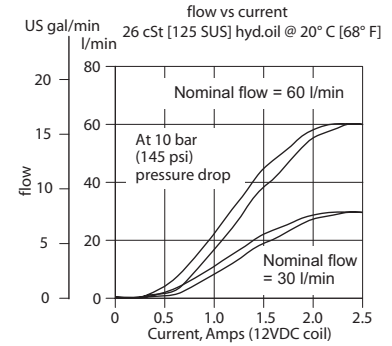
**OPERATION**

This is a non-compensated proportional directional control valve.

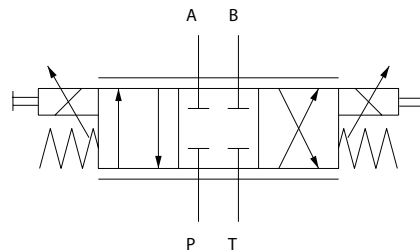
**SPECIFICATIONS**

<b>Rated pressure</b>	350 bar [5075 psi]
<b>Rated Flow at 10 bar [150 psi]</b>	60 l/min [16 US gal/min]
<b>Weight</b>	6.60 kg [14.60 lb]
<b>Hysteresis</b>	6% maximum
<b>Threshold current</b>	0.2 A (12 VDC coil) 0.1 A (24 VDC coil)
<b>Maximum control current</b>	1.8 A (12 VDC coil) 0.9 A (24 VDC coil)
<b>Cavity</b>	ISO D05
<b>Standard Coil</b>	PD05 23 Watt

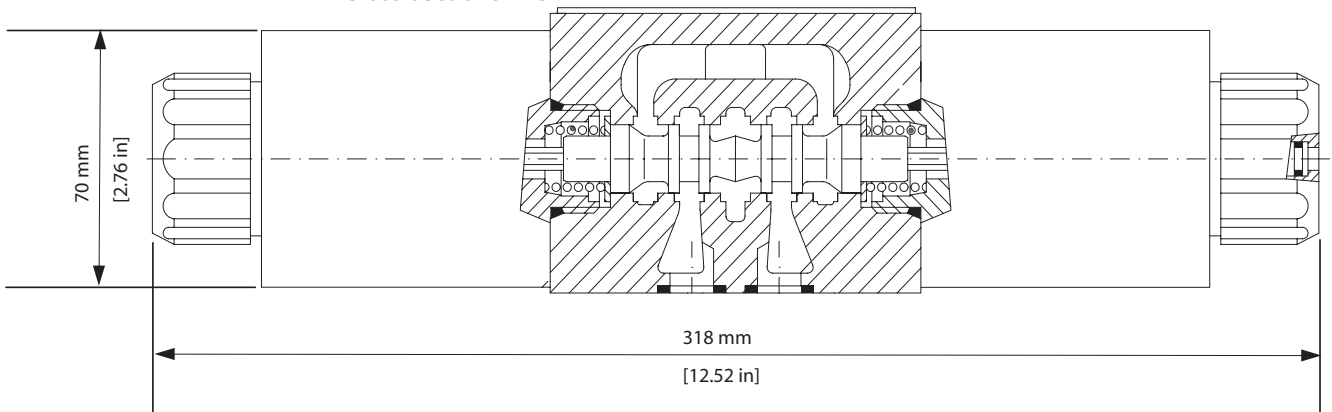
**Theoretical performance**



**Schematic**



Cross-sectional view



**ORDERING INFORMATION**

PDCV05-3Z11/30-12-E1

**Connector**  
 E1 = DIN 43650  
 E8 = Lead wires  
 E10 = Deutsch on leads

**Seal kit**  
 B = Buna N 158-8023  
 V = Viton 158-8094  
 All internal seals are Viton

**Flow rate**  
 30 = 30 l/min [7.9 US gal/min]  
 60 = 60 l/min [15.8 US gal/min]

**Voltage**  
 12 = 12 VDC  
 24 = 24 VDC

**Bolt kit**  
 1/4-20 Thd 158-8095  
 M6 Thd 158-8024

Proportional Valves  
 PDCV03-3Z11