

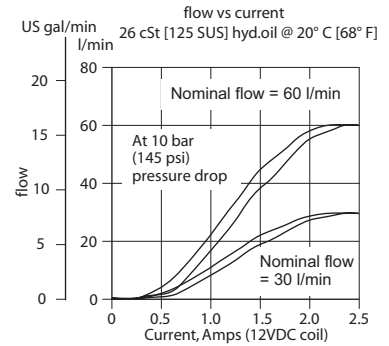
OPERATION

This is a non-compensated proportional directional control valve.

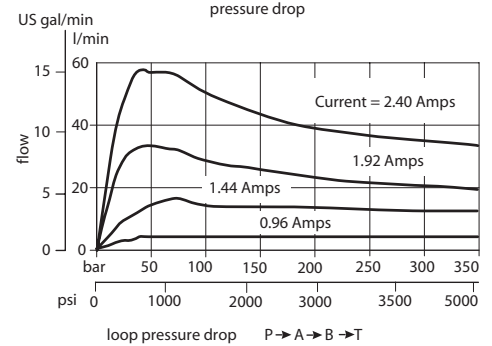
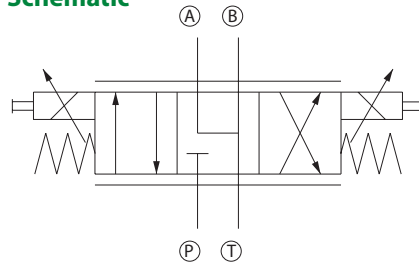
SPECIFICATIONS

Rated pressure	350 bar [5075 psi]
Rated Flow at 10 bar [150 psi]	60 l/min [16 US gal/min]
Weight	6.60 kg [14.60 lb]
Hysteresis	6% maximum
Threshold current	0.2 A (12 VDC coil) 0.1 A (24 VDC coil)
Maximum control current	1.8 A (12 VDC coil) 0.9 A (24 VDC coil)
Cavity	ISO D05
Standard Coil	PD05 23 Watt

Theoretical performance



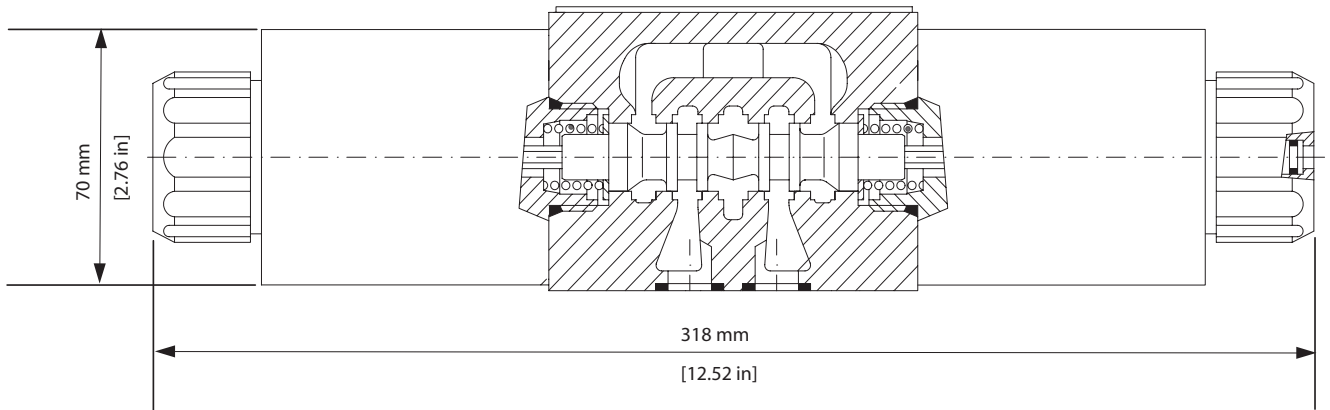
Schematic



DIMENSIONS

mm in

Cross-sectional view



ORDERING INFORMATION

P-DCV05-3Y11/30-12-E1

- | | | | |
|---------------------------------|----------------|------------------------|------------------------------|
| Nominal flow rate | Voltage | Connector | Seal kit |
| 30 = 30 l/min [7.9 US gal/min] | 12 = 12 VDC | E1 = DIN 43650 | B = Buna N 158-8023 |
| 60 = 60 l/min [15.8 US gal/min] | 24 = 24 VDC | E8 = Lead wires | V = Viton 158-8094 |
| | | E10 = Deutsch on leads | All internal seals are Viton |
| | | Bolt kit | |
| | | 1/4-20 Thd 158-8093 | |
| | | M6 Thd 158-8024 | |

Proportional Valves
P-DCV05-3Y11