

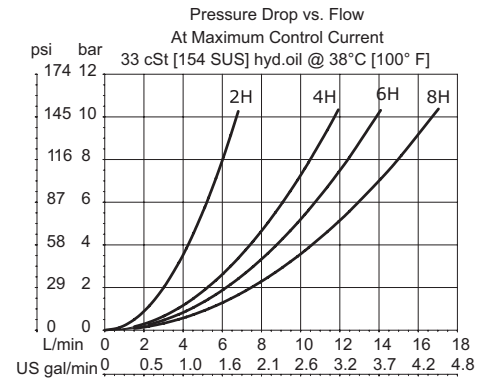
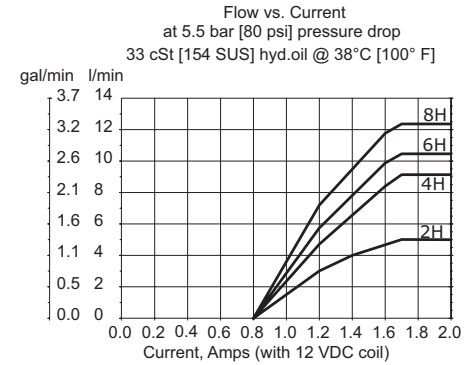
OPERATION

This valve is a non-compensated, normally-closed, proportional flow control.

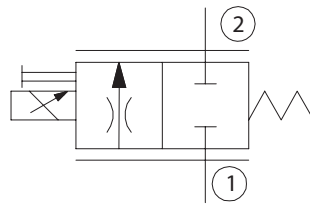
SPECIFICATIONS

Rated pressure	210 bar [3000 psi]
Rated flow at 6 bar [80 psi]	12 l/min [3 US gal/min]
Weight	0.36 kg [0.80 lb]
Hysteresis	10% maximum
Threshold current	0.8 A (12 VDC coil) 0.4 A (24 VDC coil)
Maximum control current	1.8 A (12 VDC coil) 0.9 A (24 VDC coil)
Pressure differential	21 bar [300 psi] maximum
Cavity	SDC08-2
Standard Coil	M19P 22 Watt
Coil nut	173802114

Theoretical performance

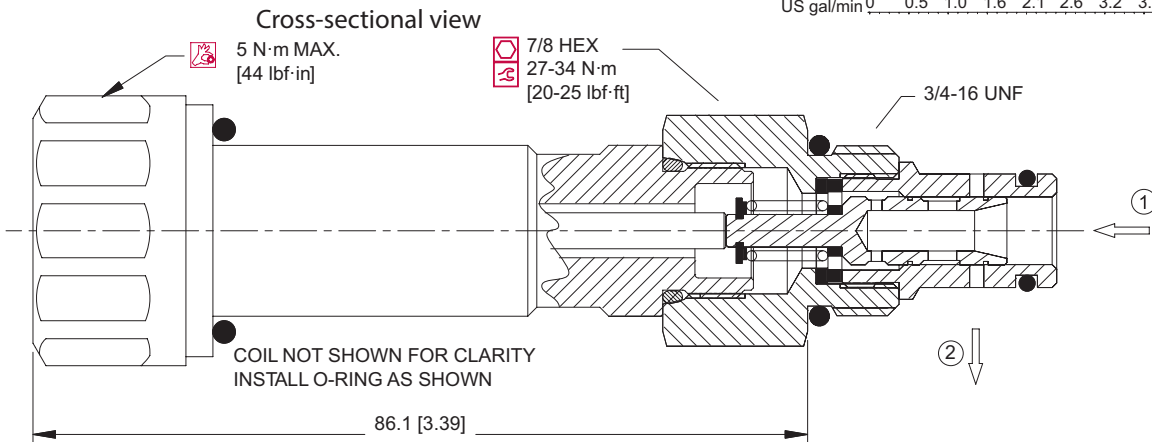


Schematic



DIMENSIONS

mm in



ORDERING INFORMATION

CP518-PNC-U-6S-2H-24-DE

Seals
 U = Urethane Seal kits 120591

Termination
 00 = No connector
 DE = Deutsch
 DN = DIN 43650
 FL = Lead wires
 AJ = AMP Jr

Voltage
 00 = No coil
 12 = 12 VDC
 24 = 24 VDC

Flow code
 2H = 5 l/min [1.3 US gal/min] at 5.5 bar [80 psi]
 4H = 9 l/min [2.4 US gal/min]
 6H = 11 l/min [2.9 US gal/min]
 8H = 13 l/min [3.4 US gal/min]

Housing and ports
 0 = Cartridge only
 4S = AL, #4 SAE
 6S = AL, #6 SAE
 2B = AL, 1/4 BSP
 3B = AL, 3/8 BSP

Housing P/N
 No Housing
 CP08-2-4S
 CP08-2-6S
 SDC08-2-DG-2B
 SDC08-2-DG-3B

Proportional Valves
 CP518-PNC