

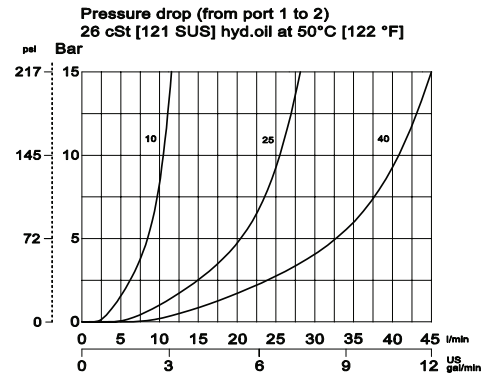
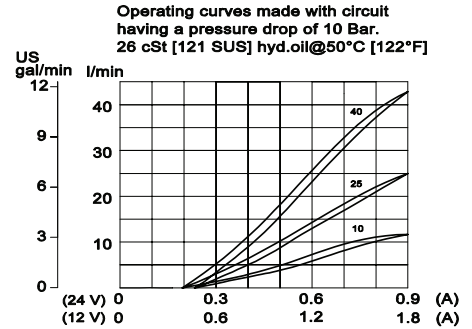
**OPERATION**

This is a normally-closed, direct-acting, spool-type, non-compensated, proportional flow-control. Controlled flow is from port 1 to 2.

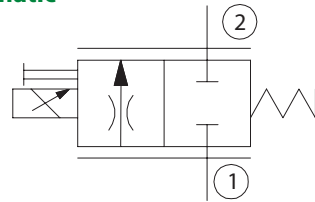
**SPECIFICATIONS**

|   |  |
|---|--|
| <b>Rated pressure</b>                                 | 260 bar [3770 psi]   |
| <b>Maximum flow at 10 bar [145 psi pressure drop]</b> | PSV10-NC-10: 10 l/min [2.64 US gal/min]<br>PSV10-NC-25: 25 l/min [6.6 US gal/min]<br>PSV10-NC-40: 40 l/min [10.6 US gal/min] |
| <b>Leakage</b>  | 420 cm <sup>3</sup> /min [25.6 in <sup>3</sup> /min] @ rated pressure  |
| <b>Weight</b>   | 0.51 kg [1.12 lb]  |
| <b>Hysteresis</b>                                     | 5% maximum   |
| <b>Threshold current</b>                              | 0.4 A (12 VDC coil)<br>0.2 A (24 VDC coil)   |
| <b>Maximum control current</b>                        | 1.8 A (12 VDC coil)<br>0.9 A (24 VDC coil)   |
| <b>Pressure differential</b>                          | 0 bar [0 psi] maximum  |
| <b>Cavity</b>   | SDC10-2  |
| <b>Standard Coil</b>                                  | M19P 22 Watt   |

**Theoretical performance**

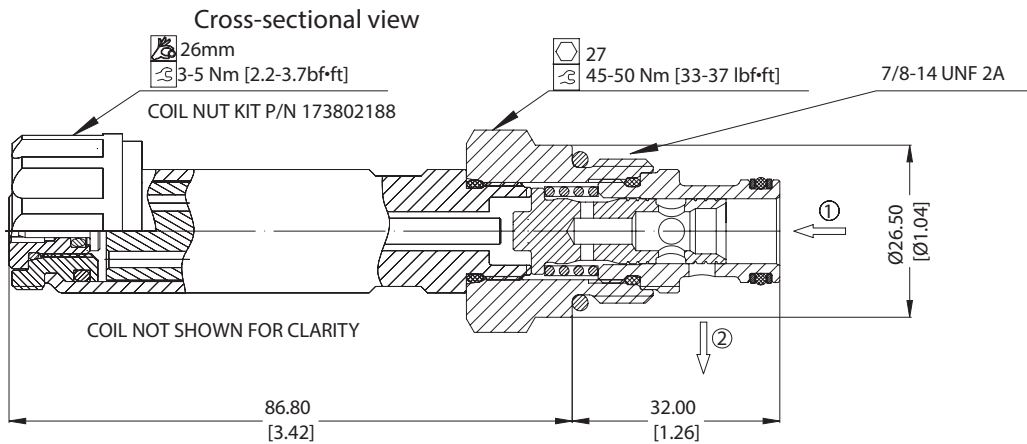


**Schematic**



**DIMENSIONS**

mm in



**ORDERING INFORMATION**

PSV10 - NC - 40 - 12D - DE - SPS - B - 00

Proportional Flow Control Valve, Non-Compensated, Normally Closed, 10 Size Cavity

| Code | Max regulated flow |
|------|--------------------|
| 10   | 10 l/m             |
| 25   | 25 l/m             |
| 40   | 40 l/m             |

| Code | Coil Voltage |
|------|--------------|
| 00   | No Coil      |
| 12D  | 12V DC       |
| 24D  | 24 V DC      |

| Code | Coil Termination |
|------|------------------|
| 00   | No Coil          |
| AJ   | Amp Junior       |
| DE   | Deutsch          |
| DN   | DIN 43650        |

| Code | Seal   | Seal Kit |
|------|--------|----------|
| B    | Buna-N | 35400401 |
| V    | Viton  | 35400341 |

| Code* | Manual Override               |
|-------|-------------------------------|
| Omit  | Push Pin (Standard)           |
| SPS   | Screw Style (Push-Type Valve) |

| Body & Ports               | Body Nomenclature |
|----------------------------|-------------------|
| 00 = No housing            | No Body           |
| 6S = Al, #8 SAE            | CP10-2-6S         |
| 8S = Al, #8 SAE            | CP10-2-8S         |
| DG3B = Al, 3/8 BSP         | SDC10-2-DG3B      |
| DG4B = Al, 1/2 BSP         | SDC10-2-DG4B      |
| * Other housings available |                   |

\* PB (Push-Button) available upon request