

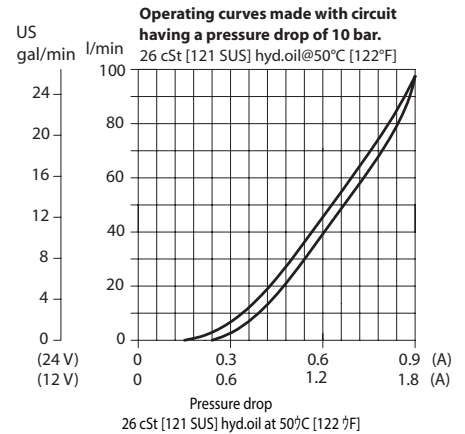
OPERATION

This is a normally-closed, direct-acting, spool-type, non-compensated, proportional flow-control. Controlled flow is from port 1 to 2.

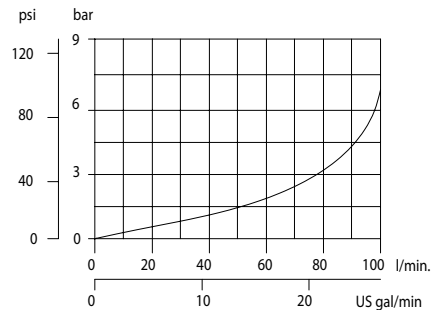
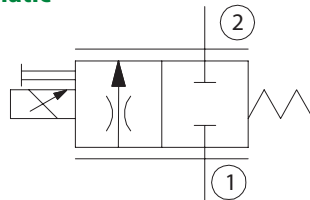
SPECIFICATIONS

Rated pressure	260 bar [3770 psi]
Rated flow at 10 bar [145 psi]	100 l/min [26 US gal/min]
Leakage	420 cm ³ /min [25.6 in ³ /min] @ rated pressure
Weight	0.87 kg [1.92 lb]
Hysteresis	5% maximum
Threshold current	0.5 A (12 VDC coil) 0.25 A (24 VDC coil)
Maximum control current	1.8 A (12 VDC coil) 0.9 A (24 VDC coil)
Pressure differential	0 bar [0 psi] maximum
Cavity	SDC16-2
Standard Coil	D14E(35W) 35 Watt

Theoretical performance

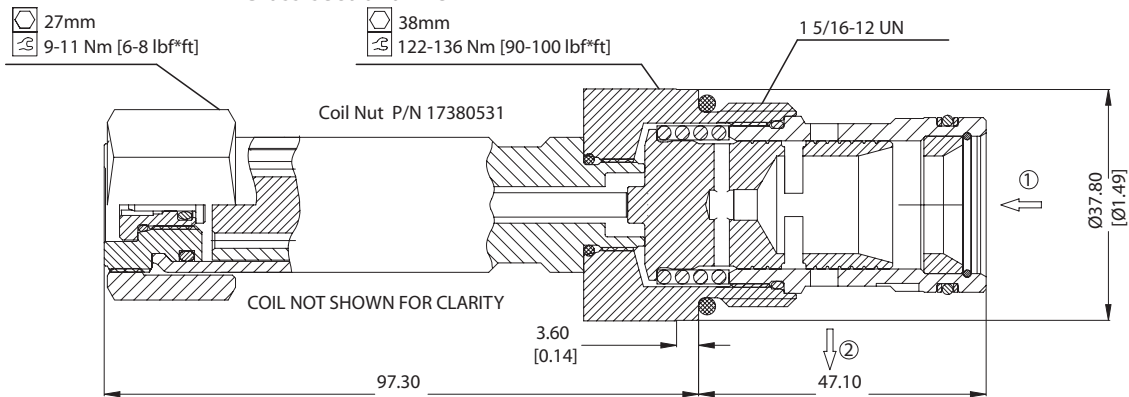


Schematic



DIMENSIONS

mm in



ORDERING INFORMATION

Proportional Flow Control Valve, Non-Compensated, Normally Closed, 16 Size Cavity

PSV16 - NC - 100 - 12D - DN - SPS - B - 00

Code	Max regulated flow
100	100 l/min

Code	Coil Termination
00	No Coil
AJ	Amp Junior
DE	Deutsch
DN	DIN 43650

Code	Coil Voltage
00	No Coil
12D	12V DC
24D	24 V DC

Code	Seal	Seal Kit
B	Buna-N	354008719
V	Viton	354008819

Code*	Manual Override
Omit	Push Pin (Standard)
SPS	Screw Style (Push-Type Valve)

Body & Ports	Body Nomenclature
00 = No housing	No Body
DG8B = Al, 3/4 BSP	SDC16-2-DG-8B
DG8B = Al, 1 BSP	SDC16-2-DG-8B
12S = Al, #12 SAE	CP16-2-12S
16S = Al, #16 SAE	CP16-2-16S
*Other housings available	

*PB (Push-Button) available upon request

Proportional Valves
PSV16-NC