

PSVP12-NCR

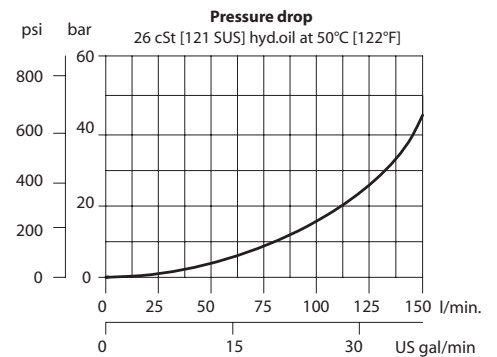
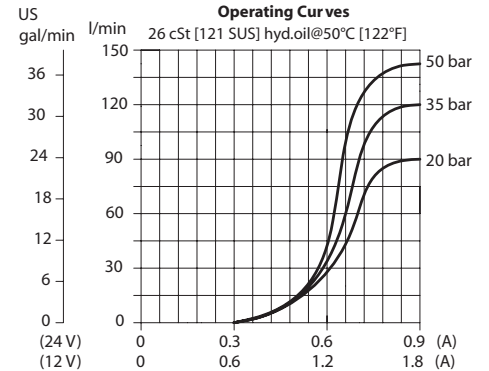
**OPERATION**

This is a non-compensated, normally-closed, pilot-operated, poppet-type, proportional flow-control. Controlled flow is from port 2 to 1.

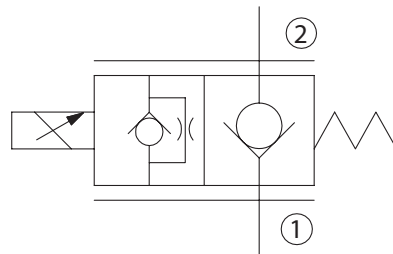
**SPECIFICATIONS**

|                                       |                              |
|---------------------------------------|------------------------------|
| <b>Rated pressure</b>                 | 260 bar [3770 psi]           |
| <b>Rated flow at 10 bar [150 psi]</b> | 70 l/min [18 US gal/min]     |
| <b>Leakage</b>                        | 6 drops/min @ rated pressure |
| <b>Weight</b>                         | 0.60 kg [1.32 lb]            |
| <b>Hysteresis</b>                     | 8% maximum                   |
| <b>Pressure differential</b>          | 0 bar [0 psi] maximum        |
| <b>Cavity</b>                         | SDC12-2                      |
| <b>Standard Coil</b>                  | M19P 22 Watt                 |

**Theoretical performance**

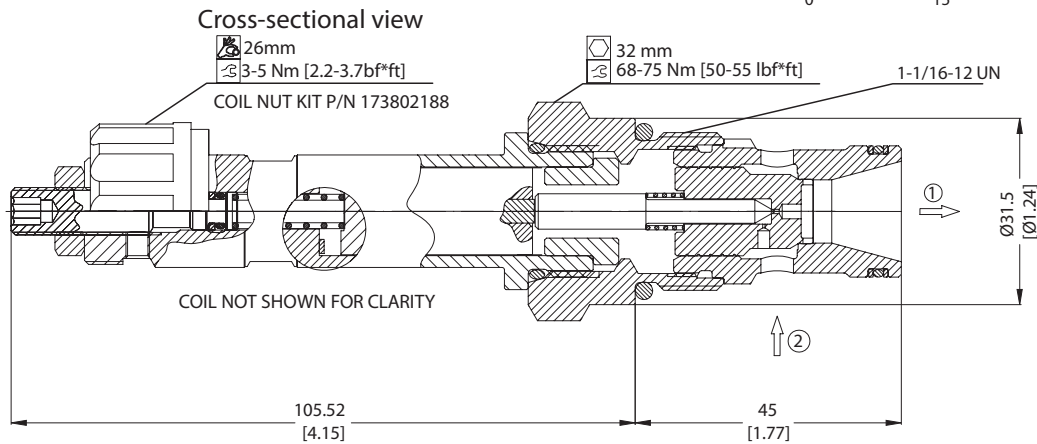


**Schematic**



**DIMENSIONS**

mm in



**ORDERING INFORMATION**

PSVP12 - NCR - 12D - DE - B - 00

Proportional Flow Control Valve, Non-Compensated, Poppet Type, Normally Closed, Free Reverse Flow, 12 Size Cavity

| Code | Coil Voltage |
|------|--------------|
| 00   | No Coil      |
| 12D  | 12V DC       |
| 24D  | 24 V DC      |

| Code | Coil Termination |
|------|------------------|
| 00   | No Coil          |
| AJ   | Amp Junior       |
| DE   | Deutsch          |
| DN   | DIN 43650        |

| Code | Seal   | Seal Kit  |
|------|--------|-----------|
| B    | Buna-N | 354008319 |
| V    | Viton  | 354008419 |

| Body & Ports             | Body Nomenclature |
|--------------------------|-------------------|
| 00 = No housing          | No Body           |
| 10S = Al, #10 SAE        | CP12-2-10S        |
| 12S = Al, #12 SAE        | CP12-2-12S        |
| DG4B = Al, 1/2 BSP       | SDC12-2-DG4B      |
| DG6B = Al, 3/4 BSP       | SDC12-2-DG6B      |
| Other housings available |                   |

Proportional Valves  
PSVP12-NCR