

OPERATION

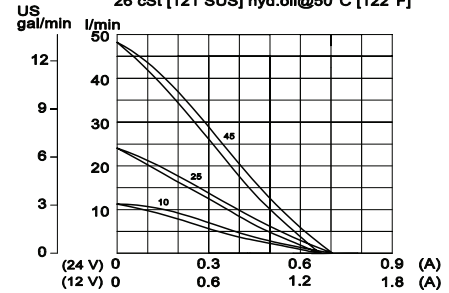
This is a normally-open, direct-acting, spool-type, non-compensated, proportional flow-control. Controlled flow is from port 1 to 2.

SPECIFICATIONS

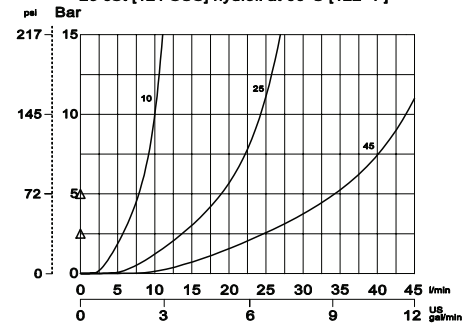
Rated pressure	260 bar [3770 psi]
Maximum flow at 10 bar [145 psi]	PSV10-NO-10: 10 l/min [2.64 US gal/min] PSV10-NO-25: 25 l/min [6.6 US gal/min] PSV10-NO-40: 40 l/min [10.6 US gal/min]
Leakage	420 cm ³ /min [25.6 in ³ /min] @ rated pressure
Weight	0.51 kg [1.12 lb]
Hysteresis	5% maximum
Threshold current	0.1 A (12 VDC coil) 0.05 A (24 VDC coil)
Maximum control current	1.8 A (12 VDC coil) 0.9 A (24 VDC coil)
Pressure differential	0 bar [0 psi] maximum
Cavity	SDC10-2
Standard Coil	M19P 22 Watt

Theoretical performance

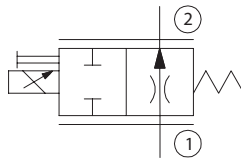
Operating curves made with circuit having a pressure drop of 10 Bar. 26 cSt [121 SUS] hyd.oil @ 50°C [122°F]



Pressure drop (from port 1 to 2) 26 cSt [121 SUS] hyd.oil at 50°C [122 °F]

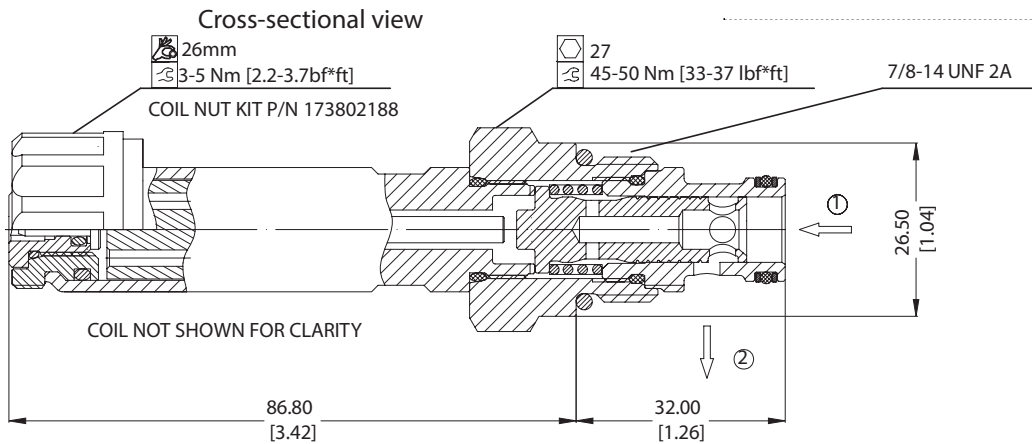


Schematic



DIMENSIONS

mm in



ORDERING INFORMATION

PSV10 - NO - 45 - 12D - DE - SPS - B - 00

Proportional Flow Control Valve, Non-Compensated, Normally Open, 10 Size Cavity

Code	Max regulated flow
10	10 l/min
25	25 l/min
45	45 l/min

Code	Coil Voltage
00	No Coil
12D	12V DC
24D	24 V DC

Code	Coil Termination
00	No Coil
AJ	Amp Junior
DE	Deutsch
DN	DIN 43690

Code*	Manual Override
Omit	Push Pin (Standard)
SPS	Screw Style (Push-Type Valve)

Code	Seal	Seal Kit
B	Buna-N	35400401
V	Viton	35400341

Body & Ports	Body Nomenclature
Omit = Cartridge only	No Body
6S = Al, #8 SAE	CP10-2-6S
8S = Al, #8 SAE	CP10-2-8S
DG3B = Al, 3/8 BSP	SDC10-2-DG3B
DG4B = Al, 1/2 BSP	SDC10-2-DG4B

*PB (Push-Button) available upon request

Other housings available